



SKY CLIMBER®

ACCESS INNOVATIONS SINCE 1955

PRODUCT CATALOG



Durable design and ease of maintenance provide better value to fleet owners

- Cast Aluminum outer shell provides strength and durability
- Sealed aluminum shell keeps moisture and debris out of electrical and mechanical housings
- Ergonomic design
- Handles and grips for ease of transport
- Easy to operate
- Lightweight
- Built to withstand the toughest conditions
- Easy to clean and maintain
- Annual maintenance takes less than one hour
- Fewer wear parts makes total cost of ownership lower
- Non-Powered control descent



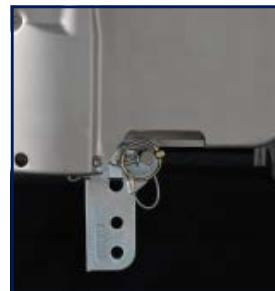
- Modular design and construction
- Internal Sky Lock
- Easy to access
- Side cover removes easily



- Emergency ascent handwheel, shown in stored position
- Sealed worm gearbox drives solid sheave
- Sits on work bench for easy maintenance and storage
- Central control box and pendant ready
- Designed to work well on low voltages



- Fewer wear parts
- Less maintenance
- Lower cost of ownership



- Fold-up stirrup strap design enables hoist to be maintained and stored easily

The Durable and Rugged Standard for Man Rated Hoists

- Removable power pack
- Four quick connect plugs to remove power pack
- Electrical components are easy to access
- Capable of adding:
 - Overload protection
 - Hour meter
 - Limit switches
 - Low voltage indicator
- LNx has an internal over-speed device that will automatically reset by going in the upward direction.
- Pressure sensitive traction sheave
- Solid sheave traction mechanism grips wire rope for ascent and descent using innovative roller system.
- Extremely easy on wire rope
- Rollers and guide ring easy to inspect and replace



24 Months factory warranty on all parts and labor.

36 Months on all geartrain parts and labor.




LNx Specifications

Lifting Capacity	1000, 1250, 1500 lbs	Emergency Stop	Yes
Voltage	185 to 220 Volts	Rope Easily Accessed	Yes
Durable Outer Shell	Cast Aluminum	Non-Powered Control Descent	Yes
Phase	Single and Three	Manual Ascent Handle Attached	Yes
Hertz	50 and 60	Overspeed Indicator	Yes
Dual Rope Capacity	Optional	Self Reeving	Yes
Internal Secondary Brake	Yes	Stow Away Stirrup Strap	Yes
Motor Type	1.9 HP	Overload Protection	Optional
Worm Gear Box	Yes	Solid Sheave Traction Mechanism	Yes
Amperage	9.0	Central Control Box Capable	Yes
Weight	105 lb.	Labor Required for Maintenance	< 1 Hour
Upper Limit Switch	Optional	Wire Rope	5/16" or 8mm
Ultimate Upper Limit Switch	Optional	Low Voltage Indicator	Optional

COMPACT HOIST

COMPACT ELECTRIC AND AIR HOISTS

	ELECTRIC
	<p>Compact 1000 Weight: 100 lbs* Part No. KCE-1000-208</p> <p>Compact 1250 Weight: 100 lbs* Part No. KCE-1250-208</p> <p>Compact 1500 Weight: 100 lbs* Part No. KCE-1500-208</p> <p><i>*Weight includes Sky Lock</i></p>

	AIR
	<p>Compact 1000 Weight: 104 lbs* Part No. KCA-1000-AIR-G</p> <p>Compact 1250 Weight: 104 lbs* Part No. KCA-1250-AIR-G</p> <p><i>*Weight includes Sky Lock</i></p>

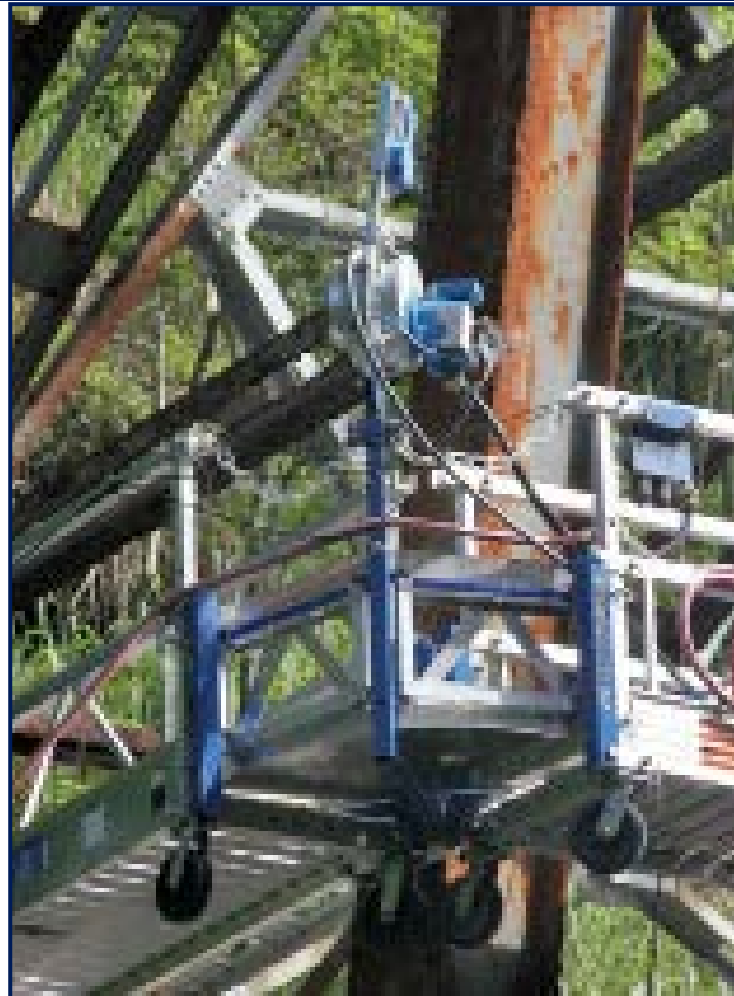
Every Sky Climber hoist comes complete with the required Sky Lock. All Compact hoist decals are available in Spanish. Part numbers and pricing are available by contacting Customer Service.

SKY CLIMBER HOIST WARRANTY

- **24-MONTHS** factory warranty on all parts and labor
- **36-MONTHS** on geartrain parts and labor

FEATURES AND BENEFITS

- 20 years proven technology
- Fits through a small (18") opening for hard to reach places
- Two handles on all hoists for easy loading and mechanical maintenance
- Power indicator light shows power status and emergency stop status as standard equipment
- Optional hour meter (Electric only)
- Hoist control or plug-in pendant ready
- Industry's best electric power-pack, eliminates power boosters in most situations
- Use of a planetary gear system, the most efficient gearbox in the industry
- Available with wireless remote control (Electric only)
- Pendants available in lengths from 6 ft - 200 ft
- Single Volt 208
- Single Volt 110 NEW (750 lb capacity)
- 50 hz or 60 hz available
- 3 Phase or Single Phase available
- All Compact models operate on 5/16" (8 mm) wire rope
- Includes required Sky Lock III
- Includes lubricator filter and bracket (Air only)
- All porting internal or uses solid piping for more durability (Air only)
- GAST air motor offers more reliability
- Gear box interchangeable with air or electric motors



COMPACT HOIST

ELECTRICAL SPECIFICATIONS

PNEUMATIC (AIR) SPECIFICATIONS

	Sgl Volt 1000 & 1250	Sgl Volt 1500		1000 & 1250	1500
Power	1.3 HP / kW 0.95	1.5 HP / kW 112	Power	70 CFM	70 CFM
Line Current	9.0 Amps	9.0 Amps	PSI	100	100
Power Cable	14/3	14/3	Hoist Weight	104 lbs*	104 lbs*
Voltage	208 Vac/60 Hz 1 PH	208 Vac/60 Hz 1 PH	Ascent Speed	20-35 fpm	20-35 fpm
Hoist Weight	100 lbs*	100 lbs*	Descent Speed	35 fpm	35 fpm
Sky Lock III	Included with hoist	Included with hoist	Sky Lock III	Included with hoist	Included with hoist
Wire Rope	5/16"	5/16"	Pendant Control	Available	Available
Ascent Speed	32 fpm	32 fpm	Wire Rope	5/16"	3/8"
Descent Speed	35 fpm	35 fpm	Filter & Lubricator	Included with hoist	Included with hoist
Pendant Control	Hoist Mounted Ctrl w/ Plug	Available	Part No.	KCA-1000-Air-G	KA15A-500-51
Part No.	KCE-1000-208	KCE-1500-208		KCA-1250-Air-G	
Part No.	KCE-1250-208			*Weight includes Sky Lock	

GENERATOR SELECTION GUIDE

RECOMMENDED

Qty	Hoist	Voltage	Run Amps	Run KVA	Run KW	Start Amps	Start KVA	Start KW	Generator KW		Generator KVA	
									20% added	KW	20% added	KVA
1	Compact 1000	208	9.0	1.82	3.2400	21	4.37	7.57	3.89	4	2.184	3
2	Compact 1000	208	18.0	3.74	6.4800	42	8.74	15.13	7.78	8	4.488	5
1	Compact 1250	208	9.0	1.82	3.2400	21	4.37	7.57	3.89	4	2.184	3
2	Compact 1250	208	18.0	3.74	6.2400	42	8.74	15.13	7.78	8	4.488	5
1	Compact 1500	230	7.5	1.73	2.9877	21	4.83	8.37	3.59	4	2.070	3
2	Compact 1500	230	15.0	3.45	5.9754	42	9.66	16.73	7.17	8	4.140	5



ALPHA 2200

Introducing the Alpha 2200

Electric hoist, designed with heavier lifting capacity while maintaining Sky Climber's high standard for quality and safety.

- Lifts: 2200 lbs
 - Operating Speed: 32 fpm
 - Features Sky Lock II: 3/8" wire rope 9.5 mm
 - Hoist Weight: 165* lbs
 - Height: 16.1 in
 - Length: 15.7 in
- Part No. KA22E-1000-100
* Weight includes Sky Lock



WIRE ROPE

We'll cut, braise and bullet tip the rope at no charge when you buy it by the foot. Swaging available for an additional charge.

5 X 26 STEEL WIRE ROPE

5/16", WS, RRL, EIPS, Galvanized, PC
Breaking Strength 11,735 lbs
Part No. 51008306
Part No. 51008306-CUT (specify length)
Part No. 51008306-SI Swage Kit with Insulated Thimble (Rope length cut as specified)
Part No. 51008306-S Swage Kit with Standard Steel Thimble (Rope length cut as specified)
* Wire rope weight approximately 18 lbs per 100 ft



19 X 7 NON-ROTATING WIRE ROPE

Used in Tower Hoist - 5/16", RR, XIP, IWRC
Breaking Strength: 8060 lbs
Part No. 51008306-NR
Part No. 51008306-NR-CUT (specify length)



FIST GRIP (J-CLAMP)
Size: 5/16 in
Part No. 119-6



SHACKLE
Size: 5/8 in
3 1/4 tons
(2.63 lbs each)
Part No. 119-8



THIMBLE INSULATED
Size: 5/16 in
Part No. 119-77

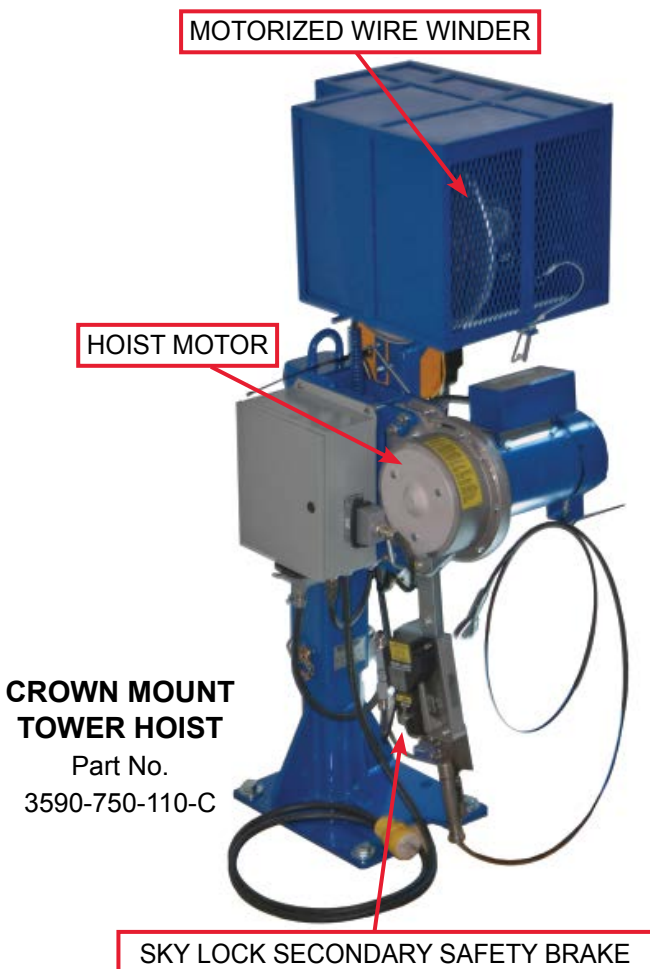


SHORT INSULATED THIMBLE ASSEMBLY
Size: 5/16 in
Part No. 119-71



THIMBLE STANDARD STEEL
Size: 5/16 in
Part No. 119-5

TOWER HOIST



**Call Factory for all options*

OIL FIELD, INDUSTRIAL & PETROCHEMICAL APPLICATIONS

Personnel lifting on drilling rigs and platforms has traditionally been done using winches designed for material. These devices, even if modified for personnel, do not carry the extra built in safety features, and operate at extreme speeds leading to accidents and injury. Difficulty in communication between the operator & rider compounds the danger in this type of application. Rigs have been moving to man-rated systems to provide access to the blocks for daily maintenance. Sky Climber has developed the Tower Hoist to address the issues associated with inferior systems and features the most advanced technology available.

With the Sky Climber Tower Hoist, the rider controls his own ascent and descent with a wireless remote control. Hand or radio signals are no longer necessary and productivity is improved without using a second operator. The speed is regulated to 35 fpm maximum. It has a mechanical secondary safety brake should the motor brake fail, a top limit switch to prevent the rider from ascending into an upper obstruction, and mechanical controlled descent capability in case of power loss. Additionally, the machine has a very small footprint allowing it to be used in close quarters in the crown.

TOWER HOIST SPECIFICATIONS:

- Hoist: Sky Climber Traction Hoist
- Rated Capacity: 750 lbs
- Wire Rope: 5/16" Rotation Resistant
- Reach: 210' standard or custom
- Speed: 35 fpm
- Power: Electric
- Voltage: 110V single phase, 220V single phase, or 220V three phase
- Amps: 12 amp
- Weight: 600 lbs
- Height including stand: 60"
- Width including cage: 21"
- Depth including cage: 26"

TOWER HOIST FEATURES:

- Operator / Rider controls the hoist with wireless remote. Rider doesn't have to rely on hand signals or relay person.
- Patented Sky Lock Technology for over speed condition
- Emergency Descent on hoist for lowering during power failure
- 35 fpm travelling speed is safe and OSHA compliant
- Upper limit switch prevents rider from ascending into structure
- Level wind of wire rope is hands free and prevents damage to valuable rotation resistant rope
- Remote uses Frequency Hopping Spread Spectrum Technology which eliminates the possibility of interference from other signals
- Low battery indicator
- 300' wireless remote range
- Easily installs on the crown or base of the drilling rig
- Weatherproof enclosures on all parts of hoist and electrical components
- Portable and compact for easy mobility
- Meets and exceeds all OSHA requirements
- Meets MIL-STD-810G Shock & Vibration Test approval



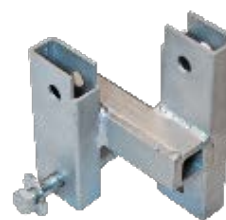
HOIST ACCESSORIES



SKY LOCK III
 Wt. 10 lbs
 Included with all Compact model hoists.
 5/16" wire rope
 Part No. 56009839-1500



SKY LOCK II
 Wt. 12 lbs
 Included with the Alpha 2200 hoist.
 3/8" wire rope
 Part No. 56009826



DOUBLE SKY LOCK BRACKET
 Part No. J3425



PENDANT CONTROL
 For Compact 1000, Compact 1250, and Compact 1500 Electric Hoists. Single Phase.
 Size Part No.
 6 ft 41021752-6
 12 ft 41021752-12
 18 ft 41021752-18
 6 ft – 200 ft pendants available



SKY LOCK CANVAS COVER
 Wt. 2 lbs
 Use on both Sky Lock II & III.
 Part No. 305-67



HOIST CANVAS COVER
 Wt. 3 lbs
 Part No. 42008106
 Fits all Compact & Alpha 1000 hoists.



CENTRAL CONTROL UNIT (CCB)
 Wt. varies based on size
 Allows simultaneous control of 2, 3, 4 or more hoists by one operator. Use with sgl. volt Compact 1000, 1250, or 1500 pendant controlled hoists.
 Part No. CCB-05 (2 hoists for stages < 5m)
 Part No. CCB-10 (2 hoists for stages < 10m)
 Part No. CCB-15 (2 hoists for stages < 15m)
 Contact Sky Climber engineering about CCB units that control more than 2 hoist.



STEP-DOWN TRANSFORMER
 Provides 220V power to hoists and 110V GFCI protected power for hand tools. Built in circuit breaker, OSHA requires GFCI protected power for 110V hand tools operated on metal platforms.
 Size Wt. Part No.
 3.0 KW (15 amp) 60 lbs 126-277-6



BOOSTER TRANSFORMER
 Provides a voltage boost from low voltage power supplies to the hoist.
 Item: 220V 10% Boost
 Wt. 22 lbs
 Part No. 126-182



ELECTRIC DROP CORD
 Made of 10/3, reinforced, SOW electric cable, 20 amp, 250 volt twist lock connectors & weather proof covers. Strain relief at each end.
 Length Wt. Part No.
 150 ft 40 lbs 127-35-150
 250 ft 70 lbs 127-35-250



ELECTRIC YOKE ASSEMBLY
 Made of 10/3 type SOW electrical cable, 20 amp, 250 volt twist lock connectors.
 Length Wt. Part No.
 50 ft 15 lbs 126-60-3



STEEL STORAGE & SHIPPING BOX
 Wt. 40 lbs
 17 1/2"W x 21"L x 25"H
 Electric & Air Hoist Box
 Part No. 800-6



AIR PENDANT
 Available lengths: 24 to 500 ft
 Specify length when ordering.
 Compact 1000, 1250 Pendant
 Part No. 41021753-(length)
 AIR HOSE
 Part No. 139-12-(length)



AIR CCB
 Description Part No.
 2 Hoist 3542-2000
 3 Hoist 3542-3000
 4 hoist 3542-4000



WIRELESS REMOTE CONTROL SYSTEMS
 Part No. KCE-CR



90 DEGREE HOIST MOUNT
 Part No. 360267



COMPACT TOOL BEARING AND SEAL PRESS
 Part No. 4200-003



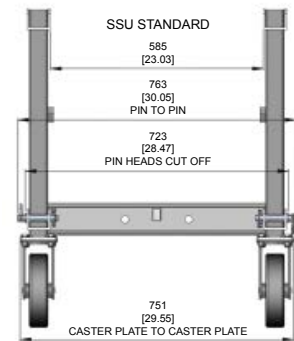
ALPHA TOOLS SHEAVE HOLDER
 (red tool)
 Part No. 800-44
ECCENTRIC TOOL
 Part No. 800-30

SKY STAGE ULTRA STANDARD PLATFORM

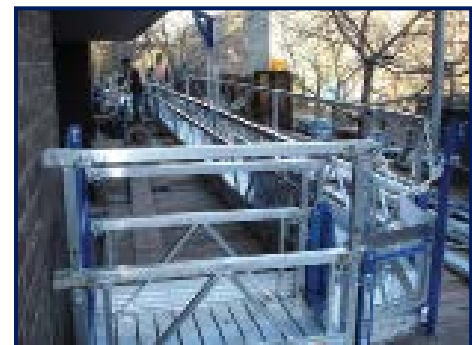
Sky Stage Ultra is a “third generation” modular platform that combines the best of current technology with new concepts. It is used in commercial restoration, painting, sand-blasting, waterproofing, caulking, window cleaning, inspections, off-shore oil rigs, and general building maintenance. A Sky Stage Ultra Standard Platform system investment allows for unlimited configuration.



**SKY STAGE ULTRA
STANDARD PLATFORM**



- 50 ft (15m) span between suspension points (only 2 hoists)
- 70 ft (21m) length is possible with addition of 2 Moveable Walk-thru Stirrups
- Reinforced, reversible floor panels provide the industry’s most stable platform
- Solid floor available
- Added features for quick and safe erection and dismantling
- Adjustable handrails provide more versatility and more work surface access
- Top rail lock pin assembly to prevent accidental release and jamming
- Compatibility with other platforms in the industry afford fleet optimization
- Moveable Low-profile Stirrup
- Horizontal Hinge
- 0-90° Adjustable Corner
- Moveable Walk-thru Stirrup
- Modular design for easy storage, transport, and replacement
- Lighter weight with wheels for easier movement
- Load rated up to 2000 lbs (custom designs can provide higher ratings)
- Dual wire rope capability
- Quick & easy installation that requires no tools
- 3 meter cantilever with use of moveable Walk-thru Stirrups
- Meets or exceeds all OSHA and ANSI standards
- UL Classified
- Multi-tier options with trap door floor
- Permanent Installation capability
- Dance floor options



**All Sky Stage Ultra Platform decals are available in Spanish.
Part numbers and pricing are available by contacting customer service.**

SKY STAGE ULTRA STANDARD PLATFORM



SSU WITH PORCH EXTENSIONS



Sky Stage Ultra's modular design enables you to configure all different shapes and sizes of stages using the same components.

SKY STAGE ULTRA STANDARD PLATFORM



SIDE PANEL

Available in .5m, 1m, 1.5m, 2m, & 3m

Size	Part No.	Wt.
.5m	360195	7 lbs
1m	360031	14 lbs
1.5m	360032	20lbs
2m	360033	26lbs
3m	360035	37lbs



TOP RAIL ASSEMBLY

Available in .5m, 1m, 1.5m, 2m, & 3m

Size	Part No.	Wt.
.5m	360194	1.5 lbs
1m	360146	3 lbs
1.5m	360147	4 lbs
2m	360148	5 lbs
3m	360149	7 lbs



FLOOR PANEL (Deck)

Available in .5m, 1m, 1.5m, 2m, & 3m

Size	Part No.	Wt.
.5m	360193	7 lbs
1m	360040	15 lbs
1.5m	360041	21 lbs
2m	360042	27 lbs
3m	360043	37 lbs

* Solid floor available

SKY STAGE
SAFE WORKING LOAD ONLY FOR CONFIGURATIONS WITH END STIRRUPS
SKY STAGE

Max. Safe Working Load (uniformly distributed)	Suspension Distance	Self-Weight	Instructions for actual safe working load Add working load limit of hoists. Compare working load limit of hoist with max. safe working load of platform. The LOWEST rating is the ACTUAL SAFE WORKING LOAD . Read 'Installation Instructions' prior to assembling.	Self-Weight	Suspension Distance	Max. Safe Working Load (uniformly distributed)
2000 lbs (900 kg)	6' 9" (2m)	249lbs (113kg)		584lbs (265kg)	(9m) 29'3"	1000 lbs (450kg)
	9' 9" (3m)	285lbs (129kg)		662lbs (300kg)	(10m) 33'0"	
	13' 6" (4m)	363lbs (164kg)		698lbs (316kg)	(11m) 36'0"	
	16' 6" (5m)	399lbs (181kg)		734lbs (333kg)	(12m) 39'0"	
	19' 6" (6m)	435lbs (197kg)		811lbs (368kg)	(13m) 42'9"	
1500 lbs (680 kg)	23' 3" (7m)	512lbs (232kg)		847lbs (384kg)	(14m) 45'9"	750 lbs (340kg)
	26' 3" (8m)	548lbs (249kg)		883lbs (401kg)	(15m) 48'10"	

*Available in Multi-tier Options

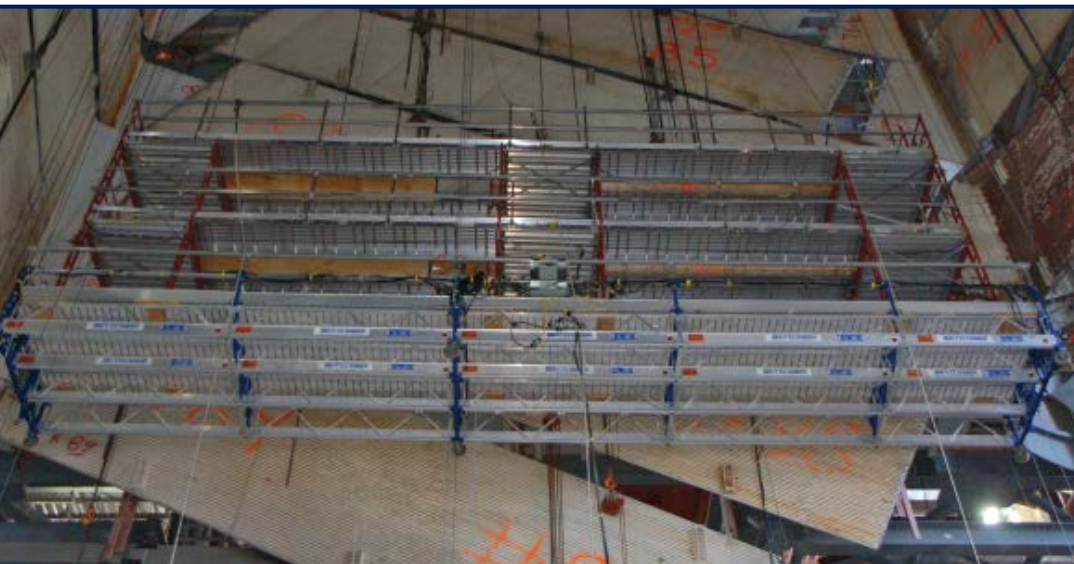
SKY STAGE BY COMPONENT

DESCRIPTION	PART NO.	2m	3m	4m	5m	6m	7m	8m	9m	10m	11m	12m	13m	14m	15m
Side Panel - 3 meter	360035	0	2	0	2	4	2	4	6	4	6	8	6	8	10
Side Panel - 2 meter	360033	2	0	4	2	0	4	2	0	4	2	0	4	2	0
Side Panel - 1 meter	360031	0	0	0	0	0	0	0	0	0	0	0	0	0	0
Side Panel - 1.5 meter	360032														
Side Panel - .5 meter	360195														
Floor Panel - 3 meter	360043	0	1	0	1	2	1	2	3	2	3	4	3	4	5
Floor Panel - 2 meter	360042	1	0	2	1	0	2	1	0	2	1	0	2	1	0
Floor Panel - 1 meter	360040	0	0	0	0	0	0	0	0	0	0	0	0	0	0
Floor Panel - 1.5 meter	360041														
Floor Panel - .5 meter	360193														
Top Rail Assembly - 3 meter	360149	0	2	0	2	4	2	4	6	4	6	8	6	8	10
Top Rail Assembly - 2 meter	360148	2	0	4	2	0	4	2	0	4	2	0	4	2	0
Top Rail Assembly - 1meter	360146	0	0	0	0	0	0	0	0	0	0	0	0	0	0
Top Rail Assembly - 1.5 meter	360147														
Top Rail Assembly - .5 meter	360194														
Connecting Frame	360039	2	2	3	3	3	4	4	4	5	5	5	6	6	6
Telescoping Post	360054	4	4	6	6	6	8	8	8	10	10	10	12	12	12
End Stirrup	360150	2	2	2	2	2	2	2	2	2	2	2	2	2	2
Caster Assembly	360065	4	4	4	4	4	4	4	4	4	4	4	4	4	4
Wall Roller	360111	2	2	2	2	2	2	2	2	2	2	2	2	2	2
Lock Pin	360019	16	16	30	30	30	44	44	44	58	58	58	72	72	72
Moveable Walk-Thru Stirrup	360130						variable								
Moveable Walk-By Low Profile	361030						variable								
Adjustable Corner	360100						variable								
Horizontal Hinge	360105						variable								
End Gate	360140						variable								

SSU Deck is a new, high capacity work platform. The size and capacity of the platform can be custom designed to accommodate specific projects. Contact Sky Climber to discuss your particular needs and we can provide you with an engineered drawing to meet your job requirements.

SSU DECK FEATURES

- Size of platforms can be custom designed to fit applications
- Able to use standard SSU components to build SSU Deck
- Load rating is flexible based on number of hoists
- Easy to assemble and disassemble at job site
- Breaks down into small components for easy handling and storage
- Can include electrical outlets and other accessories
- Central Control Box to operate all hoists at same time
- Anti-tilt, Underload and Overload Sensors available
- Dual rope system capable
- Attachments for horizontal life lines
- Significant cost savings over built-up scaffolding
- Can save weeks off erection and dismantling time
- Able to cover large areas with one platform
- Easy to move between levels and work areas
- Able to put large number of workers and equipment in one area



IDEAL FOR WORK ON:

- Boilers
- Bridges
- Off-shore
- Restoration
- Special Applications

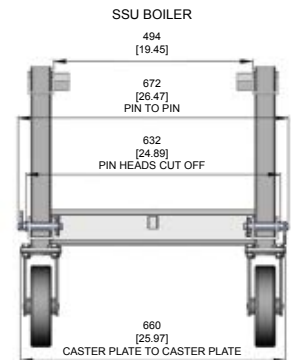
SKY STAGE ULTRA BOILER PLATFORM

The easy, fast, modular way to access those small, hard to reach places with a full-size work platform. Sky Stage Ultra Boiler Platform components fold to fit through openings as small as 18". Stop paying high labor and erection costs for stack or system scaffolding. Use Sky Stage Ultra Boiler Platform inside boilers, digesters, silos. Two or three workers can install a 20 foot platform in about 20 minutes. Think of the savings you'll realize using a modular system. Sky Climber offers and recommends Application and Safety training at your site. Call us for more information.



SKY STAGE ULTRA BOILER PLATFORM

(fits thru 18" opening)



SKY STAGE ULTRA BOILER PLATFORM

- Folds to fit through openings as small as 18" round
- 1250 lbs load rating from 1 meter to 9m lengths
- Transport a 30 foot platform (or larger) in the bed of your pick up truck
- Use Boiler End gates and moveable stirrups for more versatility
- Components unfold to provide full-size platform & performance
- Workers set up a platform in 20 minutes
- Adjustable hand rails add versatility and increase work surface space
- Telescoping posts allow repositioning of hand rails
- Available in work cages in various sizes
- Meets or exceeds all OSHA and ANSI standards
- UL Classified



*All Sky Stage Ultra Platform decals are available in Spanish.
Part numbers and pricing are available by contacting customer service.*

WELDING PROTECTION

WELDING ACCESSORIES

- Arc Guard Kit
- Stage Ground
- Insulated Mats
- Wire Winders
- Short Insulated Thimble Assembly
- Insulated Thimbles
- Wire Rope Protection
- Hoist Covers



WELD GROUND KIT
Part No. 53008100



WIRE WINDER
Part No. 121-1



THIMBLE
Part No. 119-77

SKY STAGE ULTRA BOILER PLATFORM



SIDE PANEL

Available in .5m, 1m, 2m, & 3m

Size	Part No.	Wt.
.5m	361210	8 lbs
1m	361027	15 lbs
2m	361023	21 lbs
3m	361019	29 lbs



TOP RAIL ASSEMBLY

Available in .5m, 1m, 2m, & 3m

Size	Part No.	Wt.
.5m	361212	4 lbs
1m	361026	6 lbs
2m	361022	10 lbs
3m	361010	15 lbs



FLOOR PANEL (Deck)

Available in .5m, 1m, 2m, & 3m

Size	Part No.	Wt.
.5m	361211	9 lbs
1m	361029	20 lbs
2m	361025	30 lbs
3m	361021	38 lbs

SKY STAGE ULTRA BOILER

SAFE WORKING LOAD ONLY FOR CONFIGURATIONS WITH END STIRRUPS

Max. Safe Working Load (uniformly distributed)

1250 lbs
(560 kg)

Suspension Distance	Self-Weight	Configuration
3'9" (2m)	175lbs (80kg)	
6'9" (2m)	249lbs (113kg)	
9'9" (3m)	285lbs (129kg)	
13'6" (4m)	363lbs (164kg)	
16'6" (5m)	399lbs (181kg)	
19'6" (6m)	435lbs (197kg)	

Configuration

Self-Weight

Suspension Distance

Max. Safe Working Load (uniformly distributed)

1000 lbs
(450kg)



512lbs (232kg)

(7m) 23'3"



548lbs (249kg)

(8m) 26'3"



584lbs (265kg)

(9m) 29'0"

Read 'Installation Instructions' prior to assembling.

Instructions for actual safe working load
Add working load limit of hoists.
Compare working load limit of hoist with max. safe working load of platform.
The LOWEST rating is the ACTUAL SAFE WORKING LOAD.

SKY CLIMBER

SKY STAGE BY COMPONENT

DESCRIPTION	PART NO.	2m	3m	4m	5m	6m	7m	8m	9m
Side Panel Boiler - 3 meter	361019	0	2	0	2	4	2	4	6
Side Panel Boiler - 2 meter	361023	2	0	4	2	0	4	2	0
Side Panel Boiler - 1 meter	361027	0	0	0	0	0	0	0	0
Side Panel Boiler - .5 meter	361210								
Floor Panel Boiler - 3 meter	361021	0	1	0	1	2	1	2	3
Floor Panel Boiler - 2 meter	361025	1	0	2	1	0	2	1	0
Floor Panel Boiler - 1 meter	361029	0	0	0	0	0	0	0	0
Floor Panel Boiler - .5 meter	361211								
Top Rail Assembly Boiler - 3 meter	361010	0	2	0	2	4	2	4	6
Top Rail Assembly Boiler - 2 meter	361022	2	0	4	2	0	4	2	0
Top Rail Assembly Boiler - 1 meter	361026	0	0	0	0	0	0	0	0
Top Rail Assembly Boiler - .5 meter	361212	0	0	0	0	0	0	0	0
Connecting Frame Boiler Version	361015	2	2	3	3	3	4	4	4
Telescoping Post Boiler Version	361014	4	4	6	6	6	8	8	8
End Stirrup Boiler Version	361011	2	2	2	2	2	2	2	2
Caster Assembly*	360065	4*	4*	4*	4*	4*	4*	4*	4*
Wall Roller Assembly	360111	2	2	2	2	2	2	2	2
Safety Pin Assembly	360019	16	16	30	30	30	44	44	44
Moveable Walk-By Low Profile Stirrup	361030				variable*				
End Gate Boiler Version	361051				variable*				
Work Cage - 1 meter	368000-LMW01								
Work Cage - 2 meter	368000-LMW02								

* Optional Item – not included with boiler stages

SKY STAGE ULTRA PLATFORM ACCESSORIES



CASTER ASSEMBLY*
Wt. 10 lbs
Part No. 360065



WALL ROLLER*
Wt. 10 lbs
Part No. 360111



ALUMINUM LOCK PIN ASSEMBLY*
Wt. 1 lb
Part No. 360019-AL



SAFETY PIN ASSEMBLY*
Wt. 1 lb
Part No. 360019



CONNECTING FRAME
Wt. 10 lbs
Part No. 360039
BOILER CONNECTING FRAME
Wt. 10 lbs
Part No. 361015



TOP RAIL POST
Wt. 2 lbs
Part No. 360054
BOILER TOP RAIL POST
Wt. 2 lbs
Part No. 361014

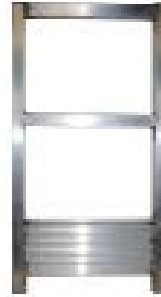
**Used on both Standard and Boiler Version Sky Stage Ultra Platforms and Work Cages*



ADJUSTABLE CORNER
0° thru 90°
Wt. 132 lbs
Part No. 360100
(Use with Standard Platform only)



HORIZONTAL HINGE
Wt. 41 lbs
Part No. 360105
(Use with Standard Platform only)



STANDARD END GATE
Wt. 15 lbs
Part No. 360140



BOILER END GATE
Wt. 15 lbs
Part No. 361051

STANDARD END STIRRUP
Wt. 32 lbs
Part No. 360150

BOILER END STIRRUP
Wt. 32 lbs
Part No. 361011



MOVEABLE WALK-THRU STIRRUP
Wt. 125 lbs
Part No. 360130
(Use with Standard Platform only)
Dual rope capable



MOVEABLE WALK-BY LOW PROFILE STIRRUP
Wt. 126 lbs
Part No. 361030
(Use with Sky Stage Standard & Boiler Platforms)



LOW PROFILE ATTACHMENT
Part No. 361030
with
2 POINT ATTACHMENT
Part No. 361054
(Use with Sky Stage Standard & Boiler Platforms)



NON-POWERED WIRE WINDER
Wire Rope Length up to 400 ft
(Includes Spring) Wt. 40 lbs
Part No. 121-1

BOILER NON-POWERED WIRE WINDER Part No. 121-1-B

SPECIALTY STIRRUPS



CUSTOM STIRRUP WORK CAGE
Part No. 3581-2



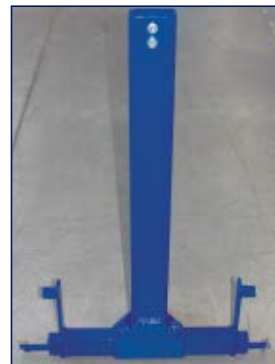
LOW MOUNT BOILER STIRRUP
Low Mount Stirrup for SSU Boiler Staging Only
Wt. 20 lbs
Part No. 3623-1000



PASS BY STIRRUP
Wt. 96 lbs
Part No. 3689-3100



END STIRRUP WELDMENT
Wt. 34 lbs
Part No. 360220



STIRRUP WITH BOLTS
Wt. 14 lbs
Part No. 3629-2210-4



ADJUSTABLE HEIGHT STIRRUP
Wt. 100 lbs
Part No. 3590-5000

Sky Stage Ultra Standard & Boiler Work Cages

SKY STAGE ULTRA WORK CAGE

- Aluminum and Steel construction for a strong, yet light-weight work cage.
- Modular design for easy storage, transport, and replacement of damaged or lost components.
- Includes wheels for easier transport on all standard platforms.
- Reversible slated floors.
- Floor handles for easy movement.
- Solid floor option available

SKY STAGE ULTRA WORK CAGE WITH MOVEABLE WALK-THRU STIRRUP

AVAILABLE

Size	Part No.	Rate	LOAD Wt.
1M	369000-W01	1250 lbs	253 lbs
1.5M	369000-W015	1250 lbs	316 lbs
2M	369000-W02	1250 lbs	330 lbs

* Weight without hoist
Casters included

SKY STAGE ULTRA WORK CAGE WITH MOVEABLE WALK-BY LOW PROFILE STIRRUP

AVAILABLE

Size	Part No.	Rate	LOAD Wt.
1M	369000-LMW01	1250 lbs	323 lbs
1.5M	369000-LMW15	1250 lbs	355 lbs
2M	369000-LMW02	1250 lbs	378lbs

Casters included

SKY STAGE ULTRA BOILER WORK CAGE WITH MOVEABLE WALK-BY LOW PROFILE STIRRUP

- Fits through confined spaces 18" and wider.

AVAILABLE

Size	Part No.	Rate	LOAD Wt.
1M	368000-LMW01	1250 lbs	299 lbs
2M	368000-LMW02	1250 lbs	365 lbs

Casters not included

Low Profile & Fold Up Work Cages

LOW PROFILE KNOCK DOWN (LPKD)

EXPANDED METAL FLOORS

Dismantles to fit through 18" opening
1000 lbs Load Rating
53"h x 37"w x 34.5 "d
Wt. 102 lbs
Part No. 106-203-X
Part No. 121-1 Wire Winder
Part No. 600-13 Departure Tube Kit (Compact)
Tubing included with Wire Winder
Part No. 112-125 Wall Roller



LOW PROFILE KNOCK DOWN (LPKD)

STANDARD WOOD FLOORS

Part No. 106-203



FOLD UP STANDARD WOOD FLOORS

Folds flat (Umbrella Type) Fits through 18" opening, Steel and wood
1000 lbs Load Rating 500 lbs each side
82"h x 70"w x 17.25"d
Wt. 124 lbs
Part No. 106-196



FOLD UP EXPANDED METAL FLOOR

Steel
Part No. 106-196X



Bosun Chair

BOSUN CHAIR

Extra back support.
Wheels for easy transport
66"h x 22"w x 33"d
Part No. 104-43 Wt. 39 lbs
Part No. 104-42 Chair Replacement
Part No. 104-29 Front Wheel Only
Part No. 104-36 Rear Wheel Only



CUSTOM WORK CAGES



SKY CLIMBER DESIGNS AND MANUFACTURES CUSTOM WORK CAGES TO MEET UNIQUE AND CHALLENGING APPLICATIONS. IF YOU HAVE A PROJECT THAT REQUIRES A WORK CAGE WITH A SPECIAL SIZE, SHAPE OR CAPACITY, PLEASE CONTACT US AT 800-255-4629.

SINGLE MAST TRANSPORT PLATFORM

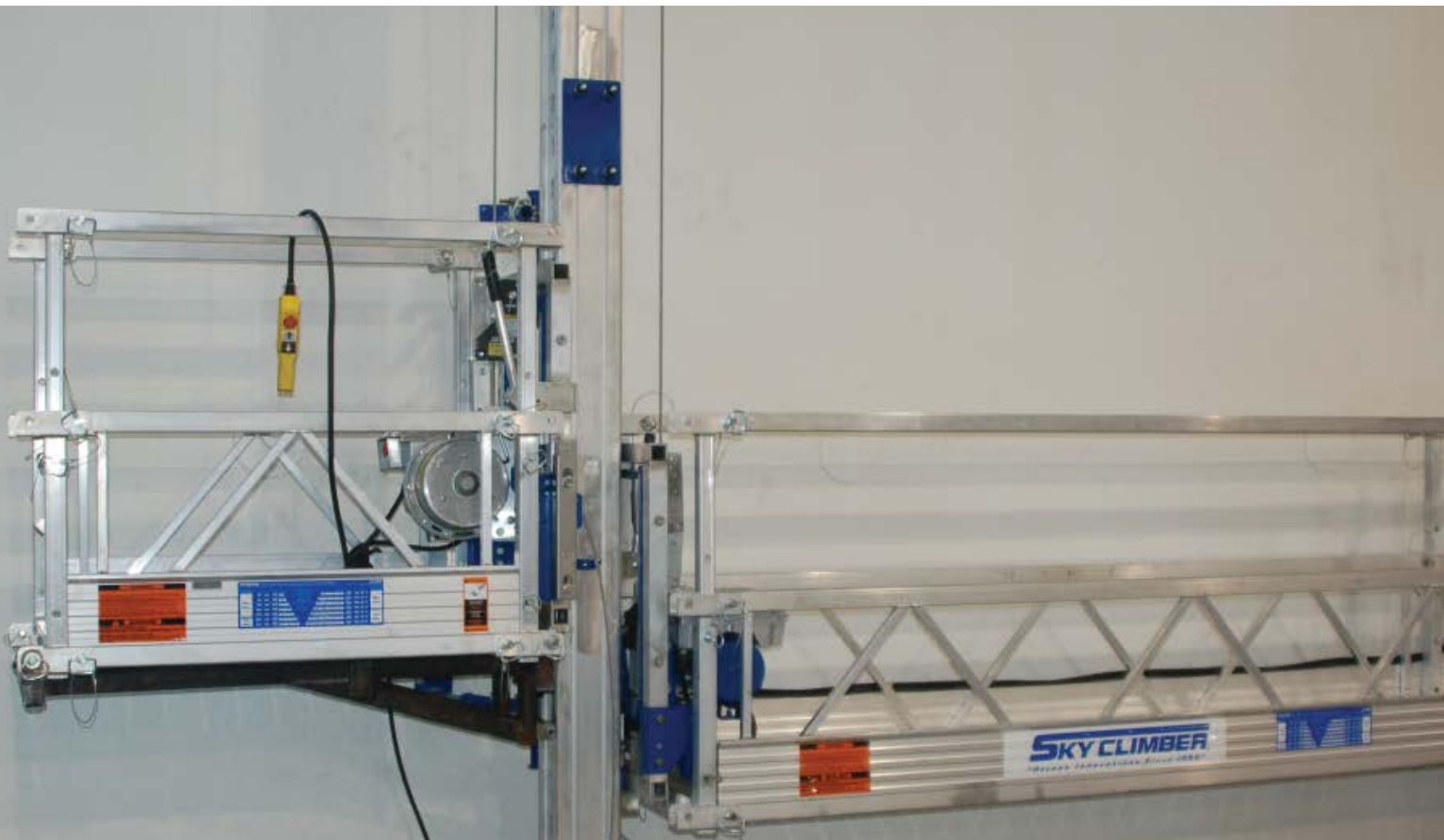
VERSATILITY

An excellent feature of Sky Climber products is the versatility of the equipment. The work cage shown here can be used as a small “buck hoist” on built up scaffold projects, or as a material lift. With the steel base it can reach 400’ in height and has a capacity of 1000 or 2000 lbs based on the size of the platform, hoist and rigging configuration.

*Note the fold down floor for egress

ACCESSORIES

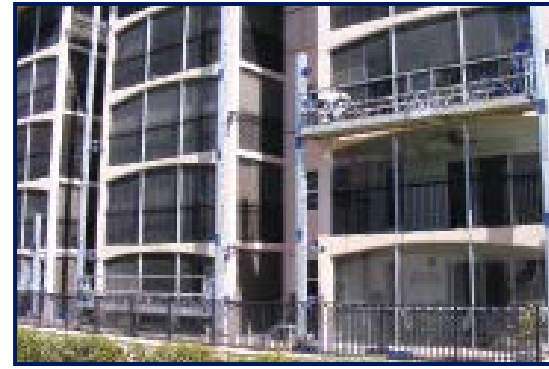
Single line work cages in either orientation can be incorporated onto the standard mast and roll case.



SKYMASTER®

SKYMASTER® is a mast anchor system that incorporates the use of standard Sky Climber platforms or work cages, with standard Sky Climber hoists. No top side rigging is used on SKYMASTER®. Horizontal lifelines are used eliminating separate tie-off points top side.

SKYMASTER® is lighter than traditional mast climbing systems and is easily portable in the bed of a pick-up truck. This ease of mobility means an immediate savings in transportation costs and lower erection and dismantle expenses.



OUTRIGGER ARM
Part No. 38000607



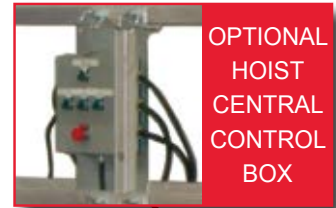
WALL TIE-IN



MANUAL MATERIAL HOIST ASSEMBLY
Part No. 38000461



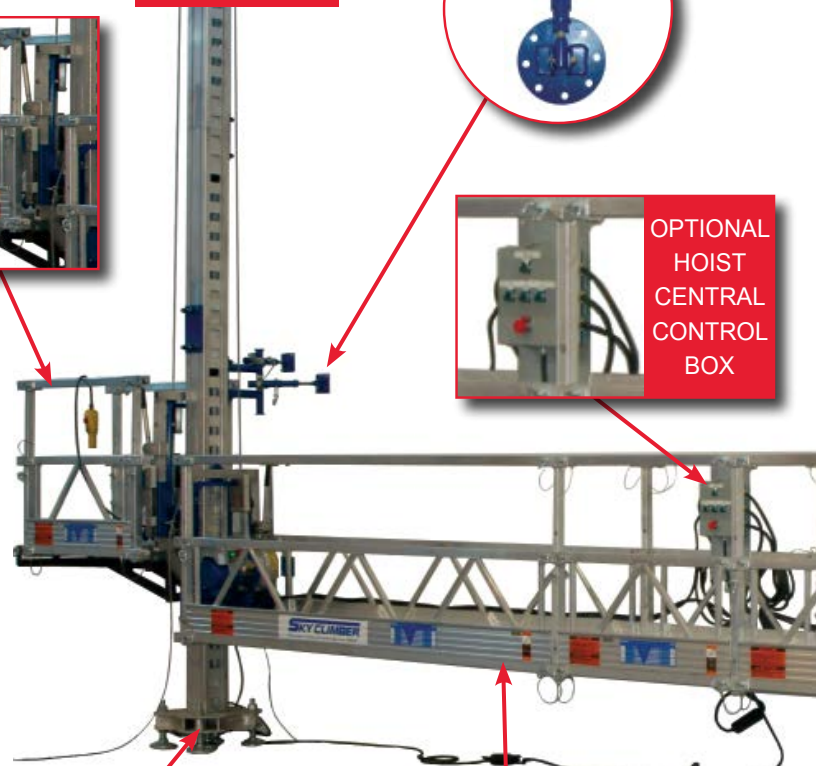
CANTILEVER 1m CAGE
Part No. 38000706



OPTIONAL HOIST CENTRAL CONTROL BOX

“Our branch of Structural Preservation Systems was awarded a job that required specialized equipment in order to access the building with swing stages. We looked at several systems but SKYMASTER® was by far the best. Sky Climber was a partner with us from purchase to erection. The technical support was excellent as was the product. We are looking to expand our fleet of SKYMASTER® equipment in the near future.”

– Steve Kushmaul, General Superintendent Structural



SKY STAGE ULTRA STANDARD PLATFORM
from 1m (3') to 15m (50')



BASE
Part No. 38000447

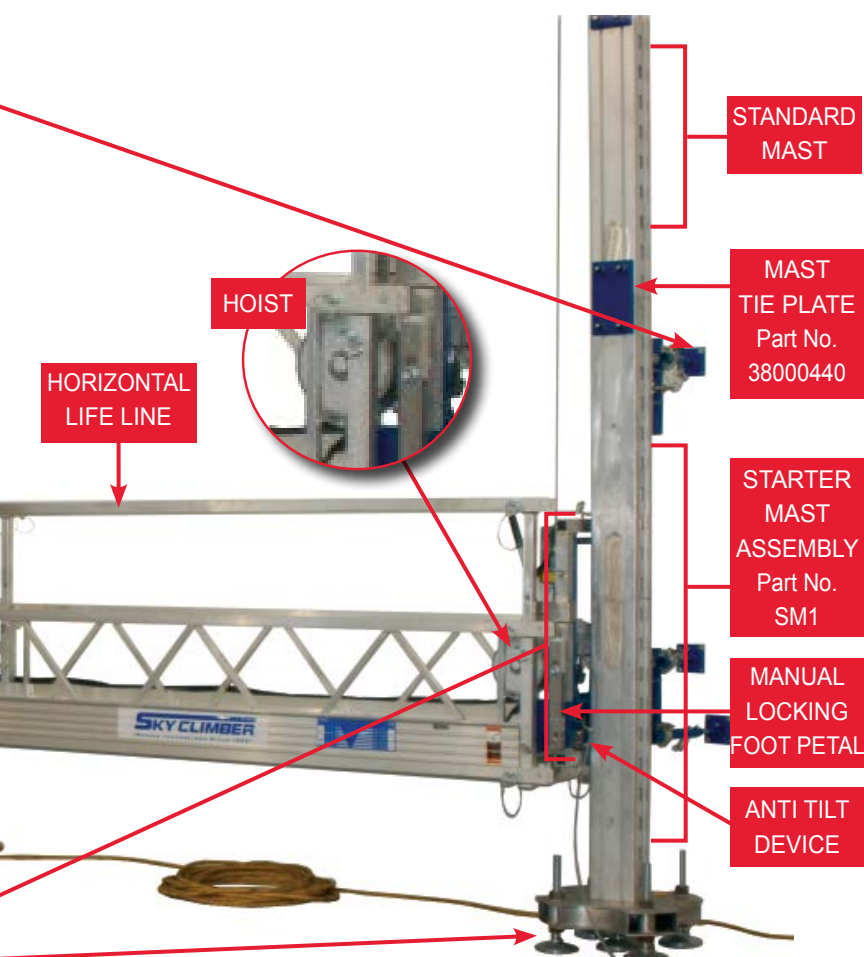


ROLL CASE
Part No. 38000170

SKY MASTER MAST SECTION
48 lbs
Part No. 38000146



The system was originally developed for restoration contractors that needed suspended access without topside rigging. Almost immediately, new applications for this versatile equipment came to light. Tank painters began using the SKYMASTER® for “silo type” and “floating top” tanks. The wall tie brackets can be welded or epoxied to the tank for future repainting, making the E&D a breeze. The system incorporates a horizontal lifeline, and therefore no topside attachment is required at all. The workers simply attach their lanyards directly to the horizontal line, stack the mast sections, and climb the tank. When the tank section has been stripped and painted, then the workers simply land the stage, disconnect, move one mast and base, reconnect, and start the process again.



TECHNICAL INFORMATION

STARTER KIT: Part No. SM1

Includes 1 Base, 1 Starter Mast, 1 Roll Case, and 1 Carriage

WALL TIE ASSEMBLY: Part No. 38000031

MAST TIE ASSEMBLY: Part No. 38000440

BASE ASSEMBLY: Part No. 38000447

STARTER MAST 7'8": Part No. 38000024

ROLL CASE: Part No. 38000170

CARRIAGE: Part No. 38000421

MAST:

- 45 in (46lbs) mast sections
- Easy interlocking masts
- Lightweight, strong, aluminum extrusion
- Self aligned / self guide

TIE-IN:

- Adjustable/sliding design for easy installation every 15-20 ft
- Flexible / easy alignment
- Quick connect / disconnect features “T” bolt design

HOISTS AND HOIST CONTROL OPTIONS:

- Works with Sky Climber, Tractel, or Power Climber hoists
- Air or Electric powered
- Sky Climber pendant controls
- Sky Climber Central Control Box

CARRIAGE:

- Lightweight pushup carriage
- “Pull” release for descent
- Safety device prevents carriage from separating from the mast
- Slides easily on mast

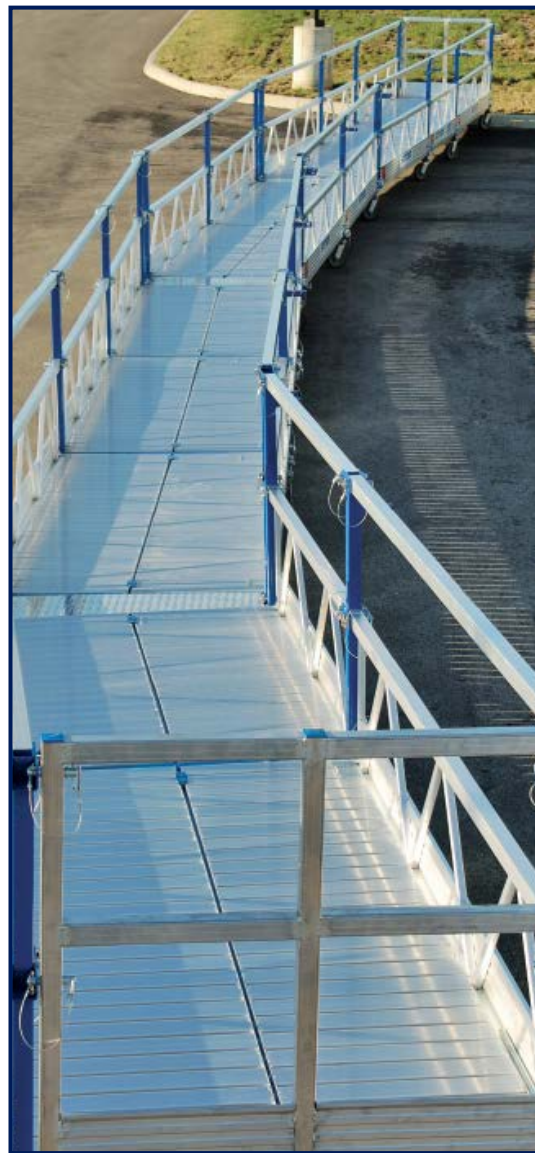
DESIGN:

- Use with a single mast work cage or double mast platform system
- Allows access around a building or other structure
- Allows access to buildings with slanted roofs or overhangs
- 1500 pound load capacity for cage or platform
- Up to 15m (49 ft) length of platform (2 mast system)
- Up to 400 ft max height with steel base

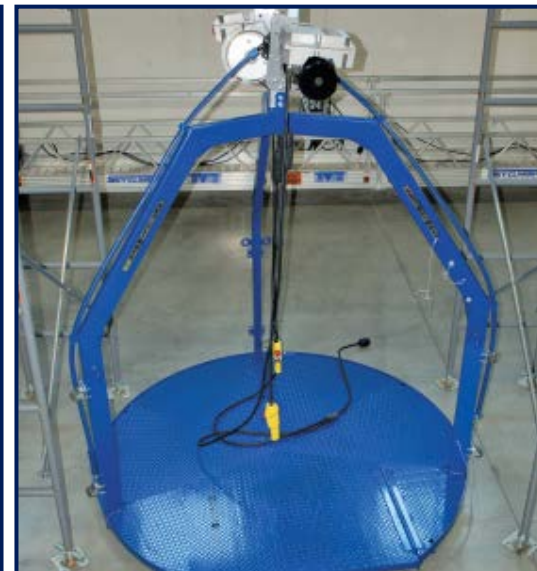
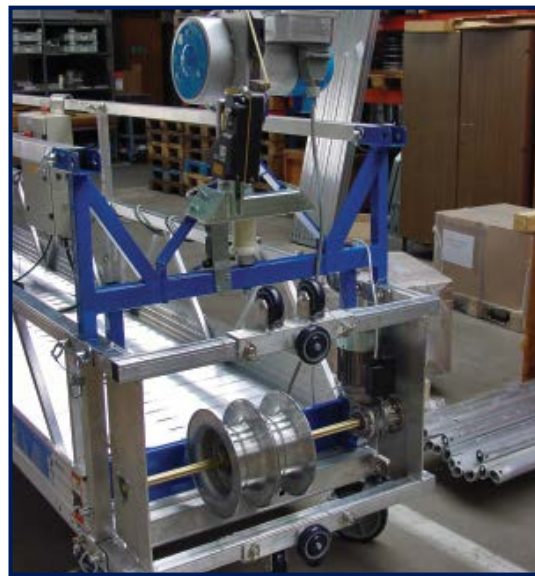
“Our company uses the SKYMASTER® system from Sky Climber for tank painting applications. The SKYMASTER® addresses the unique access challenges in tank farms, such as confined areas and tight containment dikes where aerial lifts cannot access. We like the system for its ease of use, excellent safety features, lightweight components, and versatility. The SKYMASTER® also increases our production by saving labor versus alternatives such as built up scaffold. In addition, the SKYMASTER® makes our jobs look clean and organized. We are very pleased with the system.”

– Wayne Fox, Project Manager, Mooring Construction

ENGINEERING SPECIALS



SKY CLIMBER SPECIALIZES IN DESIGNING AND BUILDING CUSTOM PLATFORMS AND WORK CAGES FOR VARIOUS INDUSTRY APPLICATIONS



SKY CLIMBER SPECIALIZES IN DESIGNING AND BUILDING CUSTOM PLATFORMS AND WORK CAGES FOR VARIOUS INDUSTRY APPLICATIONS

PERMANENT INSTALLATION

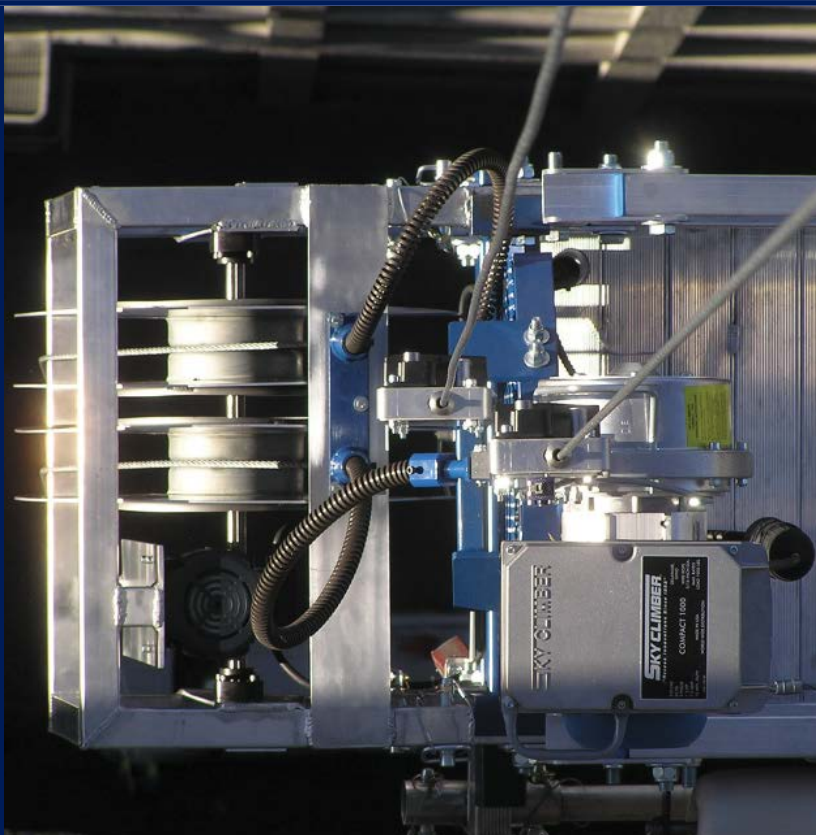
Permanent Access Equipment

- Permanent Access Solutions for Window Cleaning and Façade Maintenance
- Sky Climber was an early innovator and manufacturer of Powered Window Washing Equipment. We are proud of our 60 year history in this market.
- As commercial building designs and construction methods have changed over the decades, so have we. Today we manufacture simple, modern, highly durable, and reliable equipment and systems.
- From our Roof Anchors right up to Roof-Launched Powered Platform Systems, we are proud to be the only domestic US company actively involved in the Permanent Installation market that:
 - Manufactures all its own products, including:
 - Roof Anchors ▪ Platforms ▪ Man-rated Hoists
 - Suspension Devices (Davits, Outriggers, Monorail, Rigging Sleeves...)
 - Provides easy access to OEM replacement parts for the entire system:
 - We stock parts in our Ohio factory, and can ship most items within a day of the order
 - Provides Service and Inspection training to support our entire product line
 - Come visit our Delaware Ohio factory and see our complete hands-on and classroom facility



Permanent Installation Platforms

- Manufactured in the US
- High Performance platforms can be configured to meet tight weight tolerances on existing structures
- Modular Adjustable-length or Fixed-length models
- 2-Line and 4-Line Models
- Multiple power source options with excellent voltage tolerances
- Meet OSHA/ANSI/ASME standards, UL-rated
- One source for platform and hoist service/inspection training
- Replacement parts readily available for shipment from our US factory
- Wall rollers and Façade stabilization are easily customized to fit building



PERMANENT INSTALLATION

Roof Anchors

- Manufactured in the US
- Stainless or High-strength galvanized anchor eyes are rated for loading in any direction
- Standard products available for Cast-in-place (concrete), Welded, or Bolted applications
- Standard products are sized to fit most structures, w/custom height and base plate dimensions available
- Our large manufacturing capacity means shorter lead times available for many large and custom orders
- Layout/Drafting/Testing and PE Certification Services available in all 50 States and Canada
- Check our website or call for dimensioned submittal cut sheets for your particular application

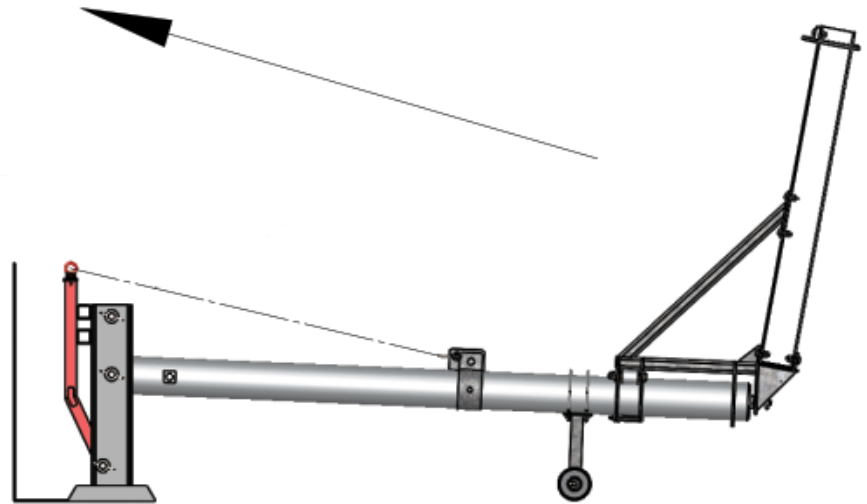


Davits

- Manufactured in US
- Weight and Reach capacities matched to our platform systems
- Meet OSHA/ANSI/ASME standards
- Ground-launched and Roof-launched standard models available
- 2-line and 4-line system capacity
- Layout/Drafting/Testing and PE Certification Services available in all 50 States and Canada
- Sky Climber can match existing building attachments with our Custom Socket Program

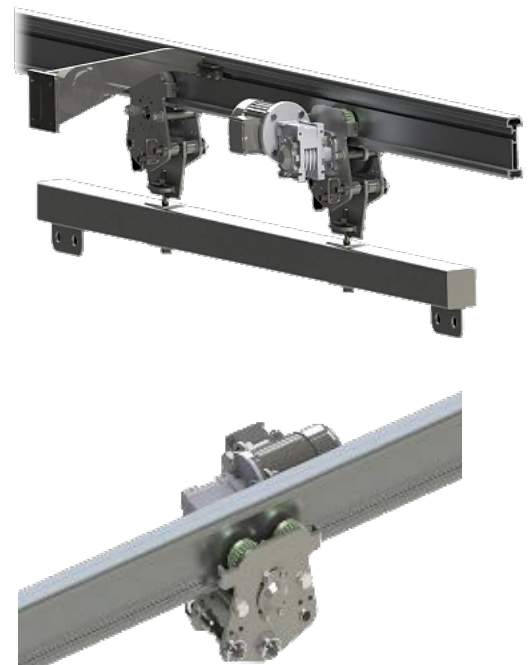
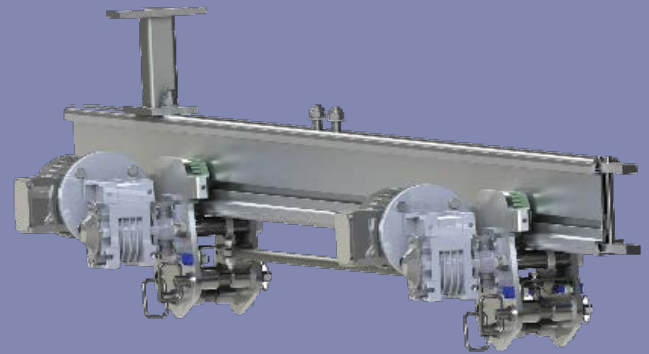


Davits



Monorail

- Complete access solution for interior and exterior applications
- Inside and Outside corners available
- Powered or Manual trolleys move smoothly along the horizontal length of the track
- Tracks supported by mounting brackets either from directly above, or from the side

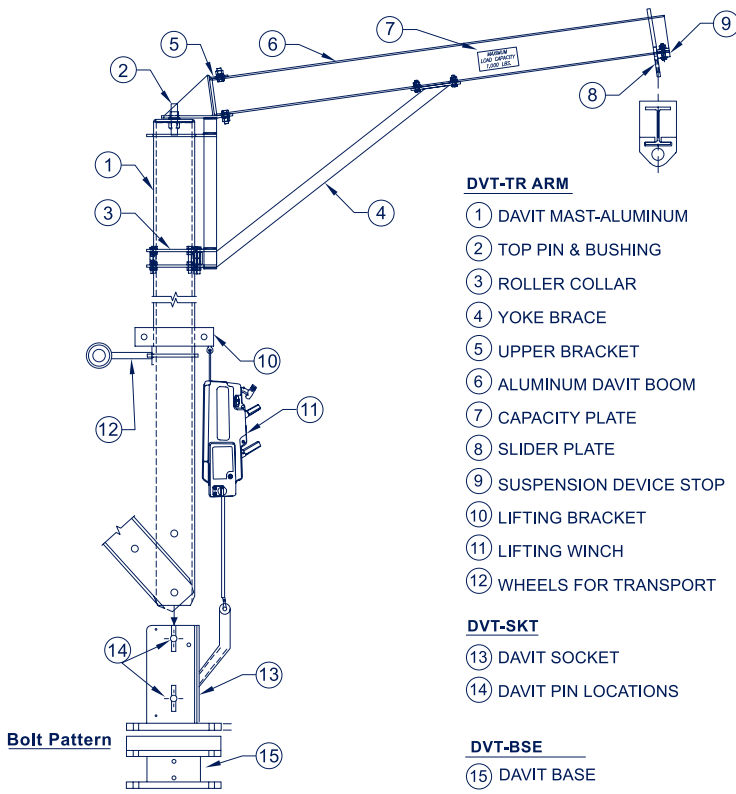


PERMANENT INSTALLATION



NOTE:
DAVIT IS CAPABLE OF SUPPORTING 5,000 LB. ULTIMATE LOAD AND 1,250 LB. ALLOWABLE LOAD. DAVIT MAY FAIL DUE TO IMPROPER INSTALLATION OR INADEQUATE SUPPORTING STRUCTURE. SERIOUS INJURY OR DEATH MAY RESULT FROM DAVIT FAILURE. INSTALLATION OF DAVIT MUST BE PERFORMED UNDER THE SUPERVISION OF A PROFESSIONAL ENGINEER WITH EXPERIENCE IN SUSPENDED ACCESS EQUIPMENT. ADDITIONALLY, DAVIT SHALL BE TESTED UNDER THE SUPERVISION OF A P.E. AND CERTIFIED BEFORE BEING PLACED INTO SERVICE.

DVT-TR SERIES W/Fixed Socket and Base



DVT-TR ARM

- 1 DAVIT MAST-ALUMINUM
- 2 TOP PIN & BUSHING
- 3 ROLLER COLLAR
- 4 YOKE BRACE
- 5 UPPER BRACKET
- 6 ALUMINUM DAVIT BOOM
- 7 CAPACITY PLATE
- 8 SLIDER PLATE
- 9 SUSPENSION DEVICE STOP
- 10 LIFTING BRACKET
- 11 LIFTING WINCH
- 12 WHEELS FOR TRANSPORT

DVT-SKT

- 13 DAVIT SOCKET
- 14 DAVIT PIN LOCATIONS

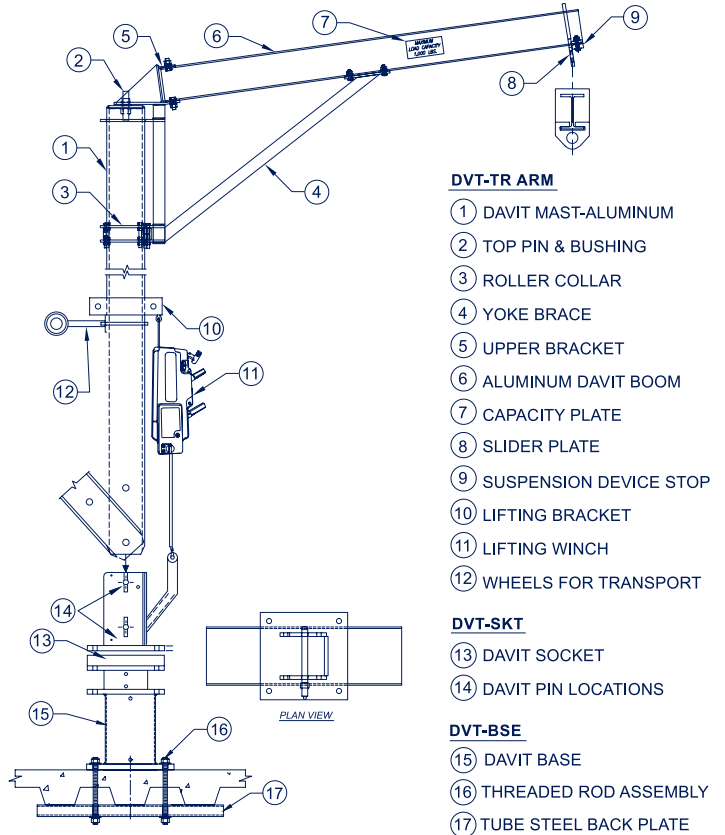
DVT-BSE

- 15 DAVIT BASE



NOTE:
DAVIT IS CAPABLE OF SUPPORTING 5,000 LB. ULTIMATE LOAD AND 1,250 LB. ALLOWABLE LOAD. DAVIT MAY FAIL DUE TO IMPROPER INSTALLATION OR INADEQUATE SUPPORTING STRUCTURE. SERIOUS INJURY OR DEATH MAY RESULT FROM DAVIT FAILURE. INSTALLATION OF DAVIT MUST BE PERFORMED UNDER THE SUPERVISION OF A PROFESSIONAL ENGINEER WITH EXPERIENCE IN SUSPENDED ACCESS EQUIPMENT. ADDITIONALLY, DAVIT SHALL BE TESTED UNDER THE SUPERVISION OF A P.E. AND CERTIFIED BEFORE BEING PLACED INTO SERVICE.

ROOF DAVIT ASSEMBLY DVT-TR SERIES THRU-BOLTED



DVT-TR ARM

- 1 DAVIT MAST-ALUMINUM
- 2 TOP PIN & BUSHING
- 3 ROLLER COLLAR
- 4 YOKE BRACE
- 5 UPPER BRACKET
- 6 ALUMINUM DAVIT BOOM
- 7 CAPACITY PLATE
- 8 SLIDER PLATE
- 9 SUSPENSION DEVICE STOP
- 10 LIFTING BRACKET
- 11 LIFTING WINCH
- 12 WHEELS FOR TRANSPORT

DVT-SKT

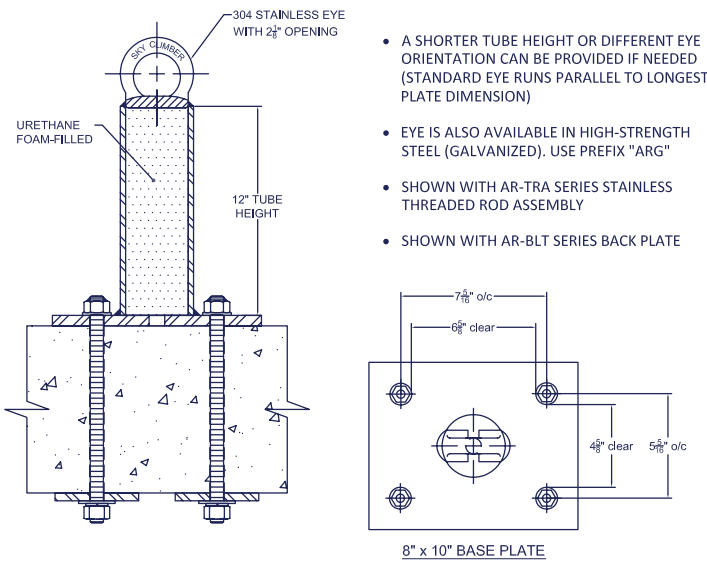
- 13 DAVIT SOCKET
- 14 DAVIT PIN LOCATIONS

DVT-BSE

- 15 DAVIT BASE
- 16 THREADED ROD ASSEMBLY
- 17 TUBE STEEL BACK PLATE

Sky Climber Model: ARS-BLT-8-12-58

Application: Roof Anchor Bolted Through Concrete Slab



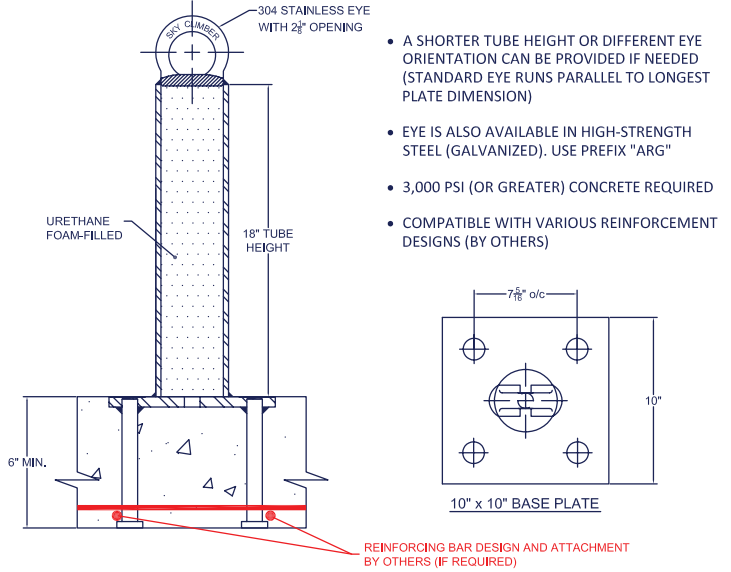
- A SHORTER TUBE HEIGHT OR DIFFERENT EYE ORIENTATION CAN BE PROVIDED IF NEEDED (STANDARD EYE RUNS PARALLEL TO LONGEST PLATE DIMENSION)
- EYE IS ALSO AVAILABLE IN HIGH-STRENGTH STEEL (GALVANIZED). USE PREFIX "ARG"
- SHOWN WITH AR-TRA SERIES STAINLESS THREADED ROD ASSEMBLY
- SHOWN WITH AR-BLT SERIES BACK PLATE

NOTE: CUSTOMER IS RESPONSIBLE FOR THE FOLLOWING:

- A. ENSURING THAT SKY CLIMBER'S ANCHORAGE PRODUCTS ARE ATTACHED TO AN ADEQUATE AND COMPATIBLE STRUCTURE.
- B. WHEN INSTALLED PROPERLY, SKY CLIMBER'S STANDARD ANCHOR PRODUCTS ARE DESIGNED TO SUPPORT THE FOLLOWING LOADS:
 (1) 2,500 LB. PROOF LOAD (TEST LOAD WITHOUT PERMANENT DEFORMATION)
 (2) 500 LB. ULTIMATE LOAD (LOAD AT WHICH POSSIBLE DEFORMATION MAY OCCUR TO ANCHORAGE WITHOUT FRACTURE OR FAILURE)
 HIGHER CAPACITY PRODUCTS ARE AVAILABLE BY REQUEST IF NEEDED.
- C. THE UNDERSTANDING THAT ANCHORS MAY FAIL DUE TO IMPROPER INSTALLATION OR INADEQUATE SUPPORTING STRUCTURE. SERIOUS INJURY OR DEATH MAY RESULT FROM ANCHOR FAILURE. INSTALLATION OF ANCHORS MUST BE PERFORMED UNDER THE SUPERVISION OF A PROFESSIONAL ENGINEER WITH EXPERIENCE IN SUSPENDED ACCESS EQUIPMENT. ADDITIONALLY, ANCHORS SHALL BE TESTED AND CERTIFIED UNDER THE SUPERVISION OF A PROFESSIONAL ENGINEER BEFORE BEING INITIALLY PLACED INTO SERVICE.
- D. PROVIDING INFORMATION TO THE OWNER, OR THEIR REPRESENTATIVE, VERIFYING THE ANCHOR LAYOUT COMPLIES WITH APPLICABLE LOCAL AND NATIONAL CODES, REGULATIONS, AND SAFETY STANDARDS FOR THE INTENDED USE.
- E. ENSURING THAT THE APPLICATION IN WHICH THE ANCHORS ARE USED AND THE STRUCTURE TO WHICH THEY ARE ATTACHED WILL SUPPORT THE APPLICABLE LOADS INDICATED ON THIS DRAWING. THE STRUCTURE AND FIELD CONNECTION DETAILS MUST BE FULLY DEVELOPED TO RESIST THE LOADS INDICATED ON THE DRAWING INCLUDING MOMENT, SHEAR, AND AXIAL FORCES. THE PROJECT ENGINEER OF RECORD IS RESPONSIBLE FOR THE DESIGN ELEMENTS OF THE CONNECTION OF THE ANCHOR TO THE STRUCTURE. THESE ELEMENTS INCLUDE, BUT ARE NOT LIMITED TO: THE INTEGRITY OF THE STRUCTURE; FIELD CONNECTION DETAILS INCLUDING ANY FIELD WELDS OR BOLTS; ADHESIVE OR MECHANICAL ANCHOR FASTENERS; REINFORCING BARS, OR ANY OTHER ELEMENT REQUIRED IN THE CONNECTION TO SUPPORT THE ABOVE LOADS.

Sky Climber Model: ARS-CIP-10-18

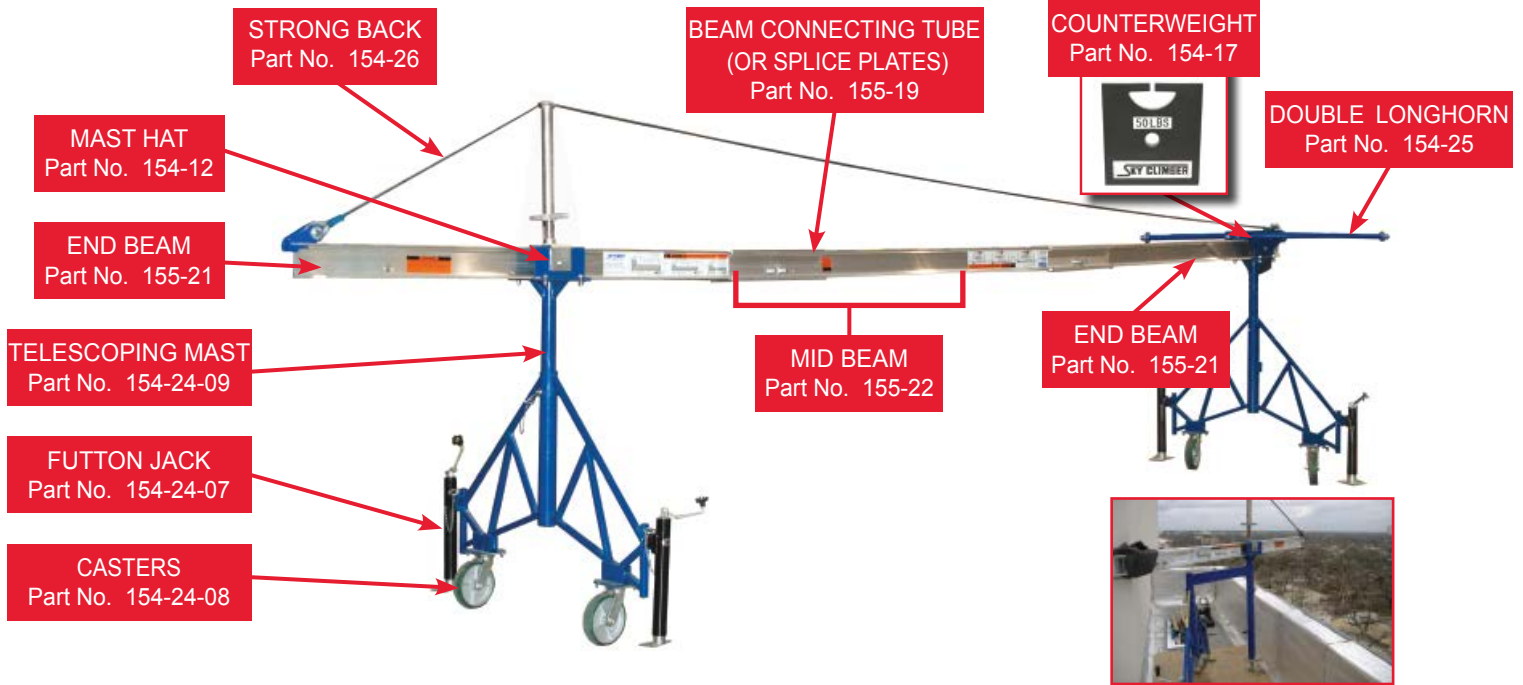
Application: Roof Anchor Cast In Place



- A SHORTER TUBE HEIGHT OR DIFFERENT EYE ORIENTATION CAN BE PROVIDED IF NEEDED (STANDARD EYE RUNS PARALLEL TO LONGEST PLATE DIMENSION)
- EYE IS ALSO AVAILABLE IN HIGH-STRENGTH STEEL (GALVANIZED). USE PREFIX "ARG"
- 3,000 PSI (OR GREATER) CONCRETE REQUIRED
- COMPATIBLE WITH VARIOUS REINFORCEMENT DESIGNS (BY OTHERS)

NOTE: CUSTOMER IS RESPONSIBLE FOR THE FOLLOWING:

- A. ENSURING THAT SKY CLIMBER'S ANCHORAGE PRODUCTS ARE ATTACHED TO AN ADEQUATE AND COMPATIBLE STRUCTURE.
- B. WHEN INSTALLED PROPERLY, SKY CLIMBER'S STANDARD ANCHOR PRODUCTS ARE DESIGNED TO SUPPORT THE FOLLOWING LOADS:
 (1) 2,500 LB. PROOF LOAD (TEST LOAD WITHOUT PERMANENT DEFORMATION)
 (2) 500 LB. ULTIMATE LOAD (LOAD AT WHICH POSSIBLE DEFORMATION MAY OCCUR TO ANCHORAGE WITHOUT FRACTURE OR FAILURE)
 HIGHER CAPACITY PRODUCTS ARE AVAILABLE BY REQUEST IF NEEDED.
- C. THE UNDERSTANDING THAT ANCHORS MAY FAIL DUE TO IMPROPER INSTALLATION OR INADEQUATE SUPPORTING STRUCTURE. SERIOUS INJURY OR DEATH MAY RESULT FROM ANCHOR FAILURE. INSTALLATION OF ANCHORS MUST BE PERFORMED UNDER THE SUPERVISION OF A PROFESSIONAL ENGINEER WITH EXPERIENCE IN SUSPENDED ACCESS EQUIPMENT. ADDITIONALLY, ANCHORS SHALL BE TESTED AND CERTIFIED UNDER THE SUPERVISION OF A PROFESSIONAL ENGINEER BEFORE BEING INITIALLY PLACED INTO SERVICE.
- D. PROVIDING INFORMATION TO THE OWNER, OR THEIR REPRESENTATIVE, VERIFYING THE ANCHOR LAYOUT COMPLIES WITH APPLICABLE LOCAL AND NATIONAL CODES, REGULATIONS, AND SAFETY STANDARDS FOR THE INTENDED USE.
- E. ENSURING THAT THE APPLICATION IN WHICH THE ANCHORS ARE USED AND THE STRUCTURE TO WHICH THEY ARE ATTACHED WILL SUPPORT THE APPLICABLE LOADS INDICATED ON THIS DRAWING. THE STRUCTURE AND FIELD CONNECTION DETAILS MUST BE FULLY DEVELOPED TO RESIST THE LOADS INDICATED ON THE DRAWING INCLUDING MOMENT, SHEAR, AND AXIAL FORCES. THE PROJECT ENGINEER OF RECORD IS RESPONSIBLE FOR THE DESIGN ELEMENTS OF THE CONNECTION OF THE ANCHOR TO THE STRUCTURE. THESE ELEMENTS INCLUDE, BUT ARE NOT LIMITED TO: THE INTEGRITY OF THE STRUCTURE; FIELD CONNECTION DETAILS INCLUDING ANY FIELD WELDS OR BOLTS; ADHESIVE OR MECHANICAL ANCHOR FASTENERS; REINFORCING BARS, OR ANY OTHER ELEMENT REQUIRED IN THE CONNECTION TO SUPPORT THE ABOVE LOADS.



DOWN and UNDER

- Reach - Down: 60-96 inches
- Reach - Under: 24-48 inches
- Max hoist capacity - 1500 lbs
- Weight - 115 lbs
- Heaviest piece - 40 lbs

Part No. 3453-10



CORNER ADAPTER

- Reduces outreach by moving fulcrum closer to parapet.
- Reduces quantity of counterweights.
- Can eliminate need for a cable-truss/strongback usage.
- Allows for better platform position; fits flush against parapet corner.
- Compatible with all current model Sky Climber Rolling Roof Rigs with no product modifications.
- Maintains height adjustment of beam; no tools required for assembly.

Part No. 154-32

ROLLING ROOF RIG PACKAGES

PART NO.	LENGTH	DESCRIPTION
154-24-A	16 ft system	(2) 8 ft beams with all components, splice plates only, except counterweights
154-24-B	24 ft system	(3) 8 ft beams with all components, splice plates only, except counterweights
154-24-C	24 ft system	(3) 8 ft beams with all components, splice plates only, includes strong back - except counterweights
154-24-ABT	16 ft system	(2) 8 ft beams with all components, includes beam connecting tube, except counterweights
154-24-BBT	24 ft system	(3) 8 ft beams with all components, includes beam connecting tubes, except counterweights
154-24-CBT	24 ft system	(3) 8 ft beams with all components, includes beam connecting tubes - strong back assembly, except counterweights
155-16-1	8 ft system	(1) 8 ft mid-beam with splice plates
155-16-1BT	8 ft system	(1) 8 ft mid-beam with beam connecting tube
155-3-2	16 ft system	(2) 8 ft split-beam assembly with splice plates
155-3-2BT	16 ft system	(2) 8 ft split-beam assembly with beam connecting tube
155-21	8 ft system	(1) end-beam with decals
155-22	8 ft system	(1) mid-beam with decals

RRR and all its accessories save you time and money. The Rigging Collar, Corner Adapter and Beam Connecting Tube will easily incorporate into your current inventory. No upgrades, changes or rework required. Obtain 6-foot outreach with 1250 lbs capacity hoist. Telescoping mast enables you to raise the beam up over a 5 foot parapet wall. Strong back assembly also available in 16 ft rolling roof rig systems.



ROOF RIGGING AND ACCESSORIES



CORNICE HOOK

Size	Part No.	Wt
9 in	149-5	21 lbs
14 in	149-6	38 lbs
18 in	149-24	41 lbs
22 in	149-7	54 lbs



FULLY ADJUSTABLE PARAPET CLAMP

Out reach 16", 20" and 24" from wall.
6 to 32" wall opening
Rated at 1500 lbs
Wt. 70 Lbs Part No. 154-45-20



STAND OFF
(used with
Cornice Hook)
Wt. 9 lbs
Part No. 119-25



RING GIRDER ROLLER
1000 lbs Capacity
Upper Portion 5" min.
Wt. 25 lbs
Part No. 154-10



CORNER ADAPTER

Wt. 60 lbs
Part No. 154-32



STEEL COUNTERWEIGHT

Wt. 50 lbs
Part No. 154-17



EDGE ROLLER
Wt. 5 lbs
Part No. 720001

- Promotes safety, repositions, worker away from roof's edge.
- Prevents rope from becoming dangerously frayed, extends life of lifelines, electrical cords & wire ropes.
- Prevent parapet wall damage.



BEAM SADDLE

Wt. 30 lbs
Part No. 154-28
For flat positioning of beam on roof, parapet or other flat surface; used with beams.



STRONG BACK ASSEMBLY

Wt. 25 lbs
Part No. 154-26 (24 ft)



FULTON JACK

Wt. 10 lbs
Part No. 154-24-07



END BEAM
Wt. 52 lbs
Part No. 155-21



MID BEAM
Wt. 52 lbs
Part No. 155-22



DOUBLE LONGHORN

Wt. 50 lbs
Part No. 154-25



8' BEAM CONNECTING TUBE

Part No. 155-28



BEAM CONNECTING TUBE

Wt. 8 lbs
Part No. 155-19
(No more nuts & bolts to drop, handle and rust, 5"x5" H beam connector cuts rigging time by 60%.)



RIGGING COLLAR

Wt. 15 lbs
Part No. 154-33
Place any where on the beam for an adjustable suspension or tie back option.



SPLICE PLATE

Part No. 155-5
NUT Part No. 107-337(8)
SCREW Part No. 107-935(8)
(Required in some 24 ft systems where beam tube will not work.)



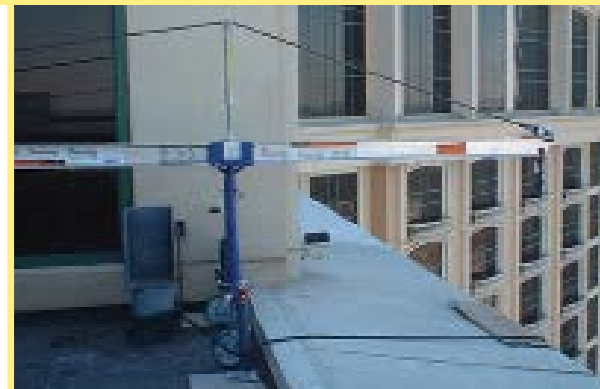
TANK TOP ROLLER

Wt. 45 lbs
Part No. 154-3



WIRE ROPE AND CABLE WINDER

Part No. 123-50



SPECIALTY RIGGING PRODUCTS



HEADER BEAM KIT

Part No. 3566

KIT INCLUDES:

- 3566-1 Header Beam (2x)
- 3566-2 Beam Clamp (2x)
- 3566-3 Beam Header Mount (4x)
- 3566-4 CW Mounting Kit (1x)

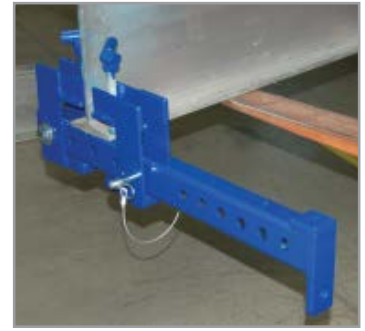
MOUNTING KIT INCLUDES:

- Longhorn Connector (3566-41)
- Turnbuckle (3566-42)

MOUNTING KIT

DOES NOT INCLUDE:

- Longhorn (154-25),
- Rigging Collar (154-33),
- Shackle (119-8),
- Counterweight (154-17)
- Wire Rope (361172)
- Latch Pin (2x)



ADJUSTABLE BEAM CLAMP

Part No. 3644-1000



ADJUSTABLE RESCUE TRIPOD

Capacity 1500 lbs
Folding Legs
Wt. 55 lbs
Part No. 3693-1000
Adjustable up to 19 inches



PIGEON HOLE STANDS

Capacity 1500 lbs
Powder Coated Steel
12" x 12" x 13 1/4"
Wt. 30 lbs
Part No. 154-34 Single (LF)
e-Part No. 3589-1000 Dual (RT)

CONFINED SPACE RESCUE SYSTEMS & TRAINING BY SKY CLIMBER

A patent pending process to rescue individuals and equipment in confined spaces such as boilers, tanks, wells, and silos is now available through Sky Climber. Several rescue system options are available:

SIDE ENTRANCE RESCUE (figure A)

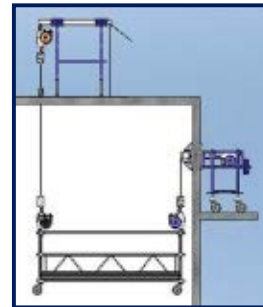
- Allows access from the side of the boiler
- Easy to move from rigging hole to rigging hole
- Head goes through an 18" hole, then secures to side wall of boiler
- Adjustable height (various ways)
- Linear slides adjustable to meet boiler wall thickness
- Counterweight for better balance
- Safety line tie-off TBD

TOP ACCESS RESCUE OPTION 1 (figure B)

- Adjustable design allows for multitude of setups
- No tools required means fast assembly in times of crisis
- Plastic pipe sleeves are used to protect wire rope and safety line

TOP ACCESS RESCUE OPTION 2 (figure C)

- Enables rigging of hoist from any direction
- Fully assembled for fast access
- Can also be used to rig fall protection equipment



BOILER SIDE ENTRANCE RESCUE

(fig. A)



TOP ACCESS RESCUE

Option 1 (fig. B)



TOP ACCESS RESCUE

Option 2 (fig. C)



TOP ACCESS

Part No. 3432.01

FALL ARREST EQUIPMENT

Designed with safety and comfort in mind, these products meet or exceed all applicable OSHA and ANSI fall protection regulations. This is an overview of our product line. Please contact customer service if you do not see exactly what you are looking for.



4 IN 1 LANYARD
Part No. 11520



**18" EXTENSION LANYARD
W/ SNAP HOOK END**
Part No. 01121



**18" SHOCK ABSORBING EXTENSION
LANYARD W/ SHOCK PACK**
Part No. 01205



**6' SINGLE LEG SHOCK
ABSORBING LANYARD**
Part No. 01220



**6' SINGLE LEG SHOCK
ABSORBING LANYARD
W/ REBAR HOOK**
Part No. 01221



**4'-6' SHOCK ABSORBING
ADJUSTABLE LANYARD**
Part No. 01285



without Rebar Hook with Rebar Hook
DB. LEG SHOCK ABSORBING LANYARD
6 ft Part No. 01230
w/ Rebar Hook Part No. 01231



TRIPLE LOCK WRAP LANYARD
6' SINGLE LEG Part No. 11750
6' DOUBLE LEG Part No. 11760



**4'-6' ADJUSTABLE
NON-SHOCK LANYARD**
Part No. 01280



**PREMIUM HARNESS WITH
TONGUE BUCKLE LEG STRAPS**
S Part No. 181130
M-XL Part No. 181131
XXL Part No. 181132



**CONSTRUCTION HARNESS W/TONGUE
BUCKLE LEG STRAPS & WAIST STRAP**
S Part No. 193130
M-XL Part No. 193131
XXL Part No. 193132



**SERAPH HARNESS W/
TONGUE BUCKLE LEG STRAPS
& SIDE D-RINGS**
M-L Part No. 11165
XL Part No. 11166



**UNIVERSAL HARNESS
PASS-THRU**
S - L Part No. 01101
XL - XXL Part No. 01105



**UNIVERSAL HARNESS
WITH TONGUE BUCKLE
LEG STRAPS**
S - L Part No. 01150
XL - XXL Part No. 01155



**MEGA SWIVEL
ANCHORAGE CONNECTOR**
Part No. 310273 Concrete & Steel



TOGGLE LOK ANCHORAGE
Part No. 310272 Portable Concrete



REMOVABLE ANCHORS
Part No. 310270 3/4" Portable Concrete
Part No. 310271 1" Portable Concrete



**HOLD ME
LIFELINE ANCHOR**
Part No. 01300



LIFELINE PROTECTOR
Part No. 119-94



REINFORCED LEATHER GLOVES
Part No. Size
310266 Medium
310267 Large
310268 Extra Large



LIFELINE, BULK
Part No. Rope Size Spool Size
310170 5/8" 600 ft
310171 5/8" 1200 ft
310172 3/4" 600 ft
310173 3/4" 1200 ft



VERTICAL LIFELINE ASSEMBLY
Part No. 01320 50 ft
Part No. 01323 75 ft
Part No. 01324 100 ft
Part No. 01325 130 ft
Part No. 01327 150 ft
Part No. 01326 200 ft

LNX Hoist	1-2
Compact Hoist	3-4
Wire Rope	4
Tower Hoist	5
Hoist Accessories	6
Sky Stage Ultra Standard Platform	7-9
SSU Deck	10
Sky Stage Ultra Boiler Platform	11-12
Welding Protection	11
Sky Stage Ultra Platform Accessories	13
Specialty Stirrups	13
Work Cages	14
Bosun Chair	14
Custom Work Cages	15
SKYMASTER®	16-18
Engineering Specials	19-20
Permanent Installations	21-25
Roof Rigging	26
Roof Rigging and Accessories	27
Specialty Rigging Products	28
Confined Space Rescue Systems	28
Fall Arrest Equipment	29
Training	Back Cover

All Sky Climber, LLC manufactured equipment meets or exceeds OSHA and ANSI requirements.

Hoists:

UL Classified – File No. SA2861
 Complies with American National Standard ANSI/UL 1323
 Complies with American National Standard ANSI A10.8

Work Platforms:

UL Classified – File No. SA2861
 Complies with American National Standard ANSI/UL 1323
 Complies with American National Standard ANSI A10.8

Portable Rigging Devices:

Complies with American National Standard ANSI/SSFI SPS1.1-1/03
 Complies with American National Standard ANSI A10.8

Sky Climber is committed to providing exemplary service in support of our equipment. Earning and maintaining your trust is one of our top priorities.

Member of the Central Contractor Registration (CCR)



SKY CLIMBER, LLC

1800 Pittsburgh Drive
 Delaware, OH 43015 USA

Ph: 740 203 3900 • Toll Free: 800 255 4629

Fax: 740 203 3901

Email: info@skyclimber.com



N.V. SKY CLIMBER EUROPE, S.A.

K.M.O. Zone Itterbeek
 Nijverheids Straat 23, Duffel B 2570 Belgium

Ph: 32 3 887 81 20

Fax: 32 3 887 09 94

Email: info@skyclimber.be

SAFETY • SERVICE • SOLUTIONS

Sky Climber leads the way in technological product advancements through their research and development. Sky Climber continues to lead the industry with training programs through personal hands-on presentations, videotapes, CD-ROM and Internet offerings. At Sky Climber, we pride ourselves in providing the highest quality products, services and support, backed by the industry's best warranty.

TRAINING CUSTOMERS SINCE 1980 AT YOUR LOCATION & OURS

Having well trained and knowledgeable associates is critical when repairing or using suspended scaffolding equipment. Sky Climber offers a full array of training programs to meet your product, application and safety requirements. Training can be conducted at our training center or at your facility. Contact us to schedule a training class that meets the needs of your organization.

Sky Climber offers 1, 2, 3 and 4 Day Courses on:

- Safety, Operator and Application Training including theory, hands-on instruction, demonstrations, and top side rigging.
- Service and Repair Training to learn technical aspects of hoist inspections, trouble shooting, repair and service. Use factory established methods to certify and recertify your equipment, and hands-on bench instruction.
- Customized courses to meet your needs: Interpreters are available. Discuss requirements with your instructor.
- Confined Space Rescue Training - 3 day on-site training program involving the use of Sky Climber's rescue system to ensure compliance with OSHA regulations and requirements for confined space applications. Sky Climber will coordinate with your Safety Director to train Rescue Team personnel and co-develop your Rescue Plan.

Sky Climber is The Industry Leader in Access Solutions. Sky Climber has designed, manufactured and marketed suspended access systems used in industrial, commercial construction and maintenance applications since 1955. Sky Climber provides sales and service to customers in North, Central and South America. In 1969, Sky Climber established its European facility in Belgium to provide products and services to Europe and other parts of the world. We offer training solutions that help you every day as you learn from instructors with 50+ years of industry experience.



SKY CLIMBER, LLC

1800 Pittsburgh Drive
Delaware, OH 43015 USA

Ph: 740 203 3900 • Toll Free: 800 255 4629

Fax: 740 203 3901

Email: info@skyclimber.com

N.V. SKY CLIMBER EUROPE, S.A.

K.M.O. Zone Itterbeek
Nijverheids Straat 23, Duffel B 2570 Belgium

Ph: 32 3 887 81 20

Fax: 32 3 887 09 94

Email: info@skyclimber.be

