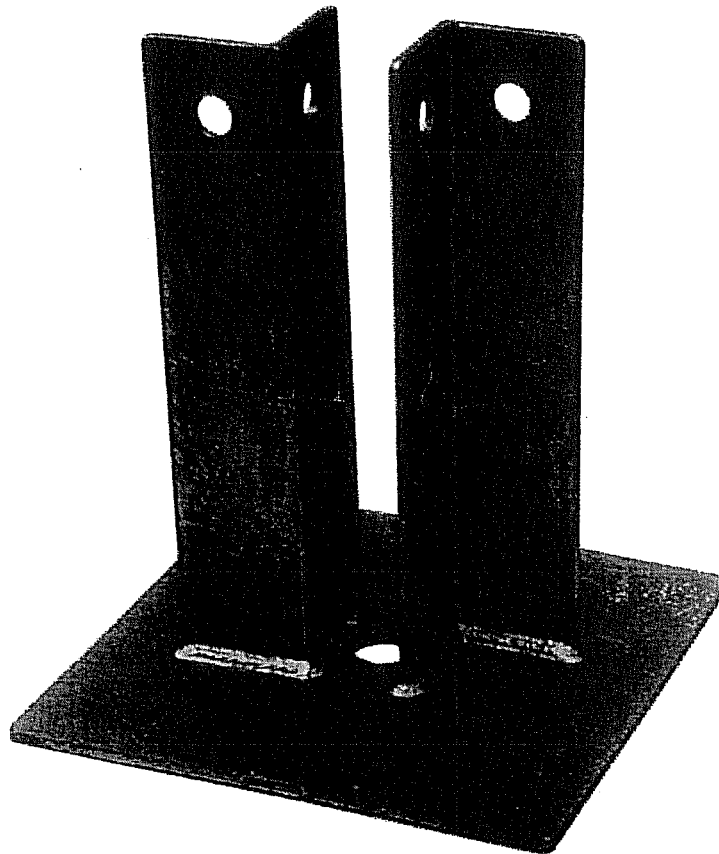




Headquarters: 2145 Indian Road | West Palm Beach, Florida 33409 | Phone (888) or (561) 616-9003 | Fax (561) 616-9005  
West Coast Branch: 11947 E. Florence Ave, Ste 5 | Santa Fe Springs, CA 90670 | Phone (562) 903-0004 | Fax (562) 903-0006

## Pigeonhole Stand

### Instruction Manual



#### Description

Designed to suspend powered scaffolding or safety lines through existing or core drilled holes (3" max. diameter) in a concrete or steel structure. Make sure the roof is capable of supporting 5000 lb ultimate load.

#### Specifications

**Part No.:** 920134  
**Load Capacity:** 5000 lbs. ultimate  
**Dimensions:** 18.25x12x12 in. (HxDxW)  
**Weight:** 22 lb  
**Construction:** Steel  
**Finish:** Galvanized or powder coated



**Headquarters:** 2145 Indian Road | West Palm Beach, Florida 33409 | Phone (888) or (561) 616-9003 | Fax (561) 616-9005  
**West Coast Branch:** 11947 E. Florence Ave, Ste 5 | Santa Fe Springs, CA 90670 | Phone (562) 903-0004 | Fax (562) 903-0006

## **⚠ GENERAL WARNING - Read First ⚠**

**Safety is a matter of life or death for riggers, operators and by-standers.  
This warning is your share of duties for achieving safety.**

### Your duty to understand and comply:

1. It is imperative for safety and efficiency of operations that this manual be read and fully understood by the rigger and the operator before rigging and using this equipment. All instructions contained herein must be carefully and strictly followed, including applicable Bee Access guidelines.
2. Should you hand over this equipment under any conditions, to any party operating out of your control, you must attach a clean copy of this manual and draw to other party's attention that strictly following all the instructions therein is a matter of life or death.
3. Before using this equipment, the rigger and the operator must become aware of all requirements of federal, state, provincial and local safety regulations, applicable to the entire suspended scaffold system and any component of it.
4. Never load this equipment above its rated load of 5000 lbs.
5. Bee Access declines any responsibility for any special layouts, rigging or structural combinations beyond the descriptions of this manual.
6. Bee Access declines any responsibility for any other use of this equipment, than described in this manual.

### Your duty to inspect and maintain:

7. Keep this manual available at all times for easy reference whenever required. Extra copies are available from Bee Access and/or your equipment supplier.
8. Carefully take notice of all labels affixed to the equipment. Never rig or operate this equipment if any label, normally fixed on it is obscured or missing. Replacement labels are available from Bee Access and/or your equipment supplier.
9. Every time the suspended scaffold is to be rigged or used, check that the Tieback Anchor, rigging, hoists, platform and other components are complete and in good working condition, prior to proceeding. All wire ropes and safety lines and their protective sleeves should be inspected at the beginning of every shift. Check for wear and abrasion due to contact with rigging equipment and/or the building structure.
10. **Inspection is to be carried out by personnel authorized by Bee Access once every 6 months.** Thoroughly check overall condition for excessive corrosion and bent, damage or worn parts or broken welds. A signed and dated inspection record should be maintained for these purposes.
11. Make sure to comply with inspection and maintenance guidelines of all other components used in the suspended scaffold system.
12. Bee Access declines any responsibility for consequences of repairs or modifications brought out of its control to the product, specifically by replacement of original parts or repairs by another manufacturer.

### Your duty to train and control people:

Compliance with safety rules extends to rigging operations which must be carried out only after securing safe conditions of operation as per safety regulations and requirements.

13. An operator must not be assigned to rigging, de-rigging, moving or operating a suspended scaffold if that person is not:
  - a. Mentally and physically fit for the purpose, especially at heights
  - b. Competent for the job to be performed
  - c. Familiar with the scaffold equipment as rigged
  - d. Professionally trained for working under the above requirements
14. Never let the equipment be moved or operated by unauthorized personnel. Keep the equipment, either rigged or unrigged, out of reach of unauthorized persons, while out of operation.
15. Every suspended job must be placed under the control of a person having the required competence and authority for checking that all the instructions prescribed by this manual be regularly and efficiently carried out.

### Your duty to safety of the entire scaffold system:

A suspended scaffold system is made up of numerous pieces of equipment; all of these components can contribute to the required safety only if:

16. Other components meet the requirements of the applicable safety regulations and requirements, are of the proper quality, assembled to form a safe and efficient suspended system and compatibility is approved by Bee Access.
17. The supporting structure and tie-backs can withstand every load to be applied, either static or dynamic, during rigging or operating of the suspended scaffold equipment.
18. All the requirements in strength and resistance are obtained with the necessary safety coefficients (call your supplier for regulations and professional standards).
19. All the calculations, design and subsequent work necessary to meet the above requirements have been made by a competent person on the basis of proper technical information regarding the site.

**NOTE:** This manual is neither a regulations compliance manual nor a general training guide on suspended scaffold operations. You must refer to proper instructions delivered by your supplier of the other pieces of equipment included in your suspended scaffold installation. Whenever calculations and specific rigging and handling are involved, the operator should be professionally trained to that end and secure relevant information prior to commencing such work.

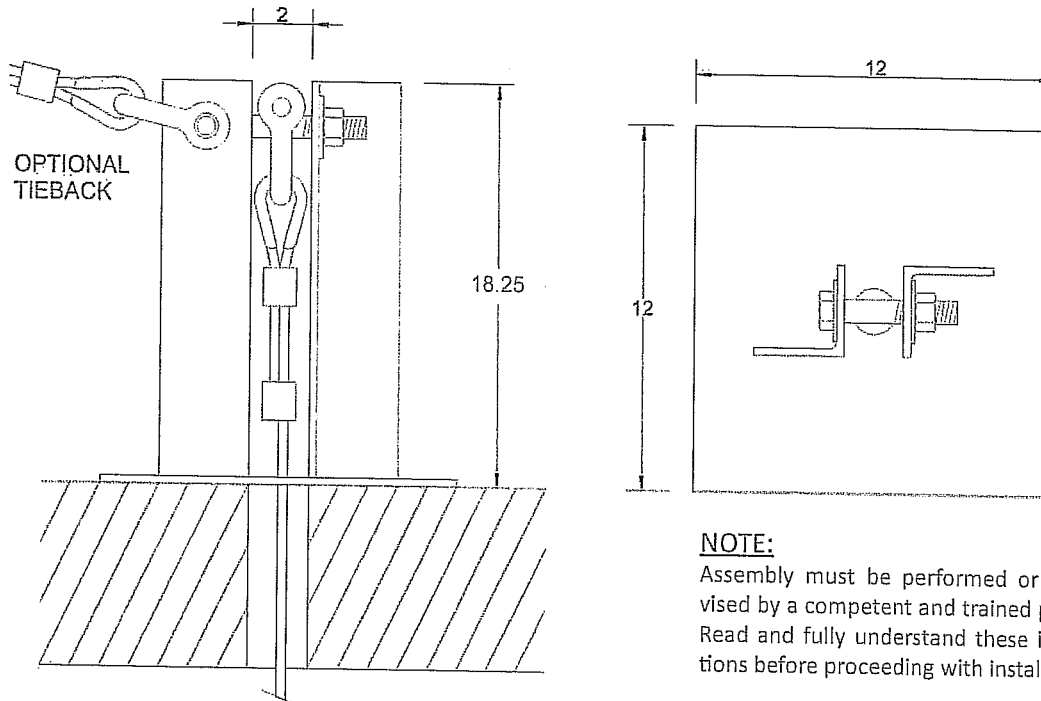
Read and comply with the "Code of Safe Practices for Suspended Powered Scaffolds" issued by the Scaffold Industry Association (also available from Bee Access or your supplier).



Headquarters: 2145 Indian Road | West Palm Beach, Florida 33409 | Phone (888) or (561) 616-9003 | Fax (561) 616-9005  
West Coast Branch: 11947 E. Florence Ave, Ste 5 | Santa Fe Springs, CA 90670 | Phone (562) 903-0004 | Fax (562) 903-0006

## Pigeon Hole Stand

### Installation Instructions



**NOTE:**  
Assembly must be performed or supervised by a competent and trained person. Read and fully understand these instructions before proceeding with installation.

**Tools Required:**

1. Ratchet, 1/2" drive
2. Socket, 1-1/8"
3. Adj. Wrench - 12"

**NOTE:**

Assembly must be performed or supervised by a competent and trained person. Read and fully understand these instructions before proceeding with installation.

**Assembly Instructions:**

1. Position the pigeonhole stand over the hole.
2. Starting with the shackle end, uncoil the wire rope on the roof in a figure 8 configuration to avoid twisting of the wire rope later. Always wear work gloves when handling wire rope.
3. Fasten the shackle of the suspension wire rope to the bolt in the stand and tighten the bolt and locknut until snug (do not overtighten).

4. Reeve the tip of the wire rope through the hole in the stand and lower the wire rope through the hole. Be careful not to get your hands or fingers pinched while lowering the last few feet of rope. Simply let go of the wire rope when you get to the last few feet of lowering it down.
5. Optional: Fasten a tieback to a structure capable of supporting 4 x the rated hoist lift capacity.

**⚠ WARNING:**

- Any installation of this equipment other than in strict accordance with these instructions shall be at the Operator's risk and may result in death or serious injury.
- It is the users responsibility to ensure that the structure on which the anchor is mounted will support 5,000-lbs Ultimate Load.
- Never attach more than one piece of equipment to an anchor.

Spare parts used for all equipment must be in accordance with the product, no substitutions are allowed.