



Reference Manual

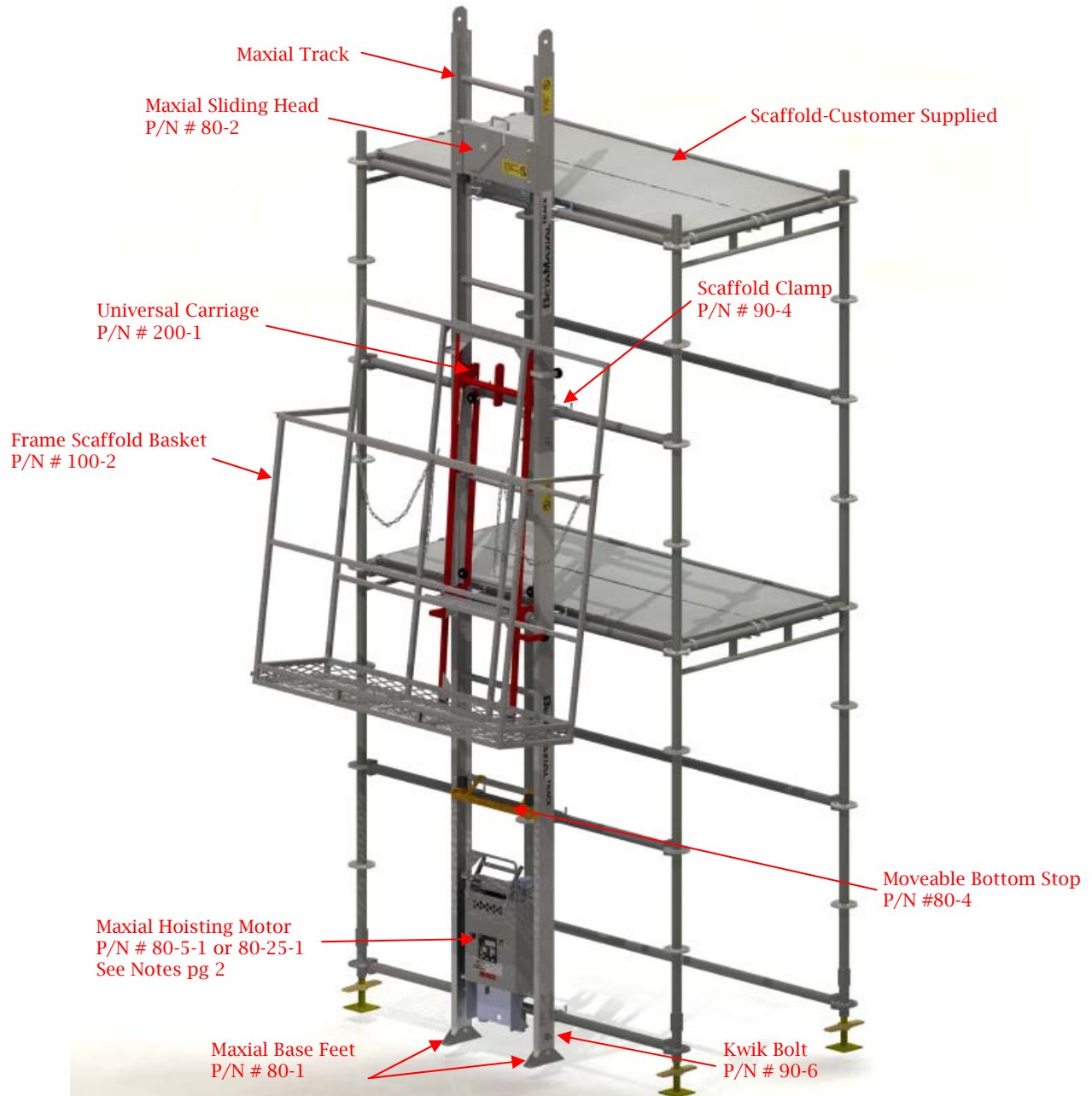
MAXIAL TRACK HOIST

Name: _____

Training Dates: _____ to _____

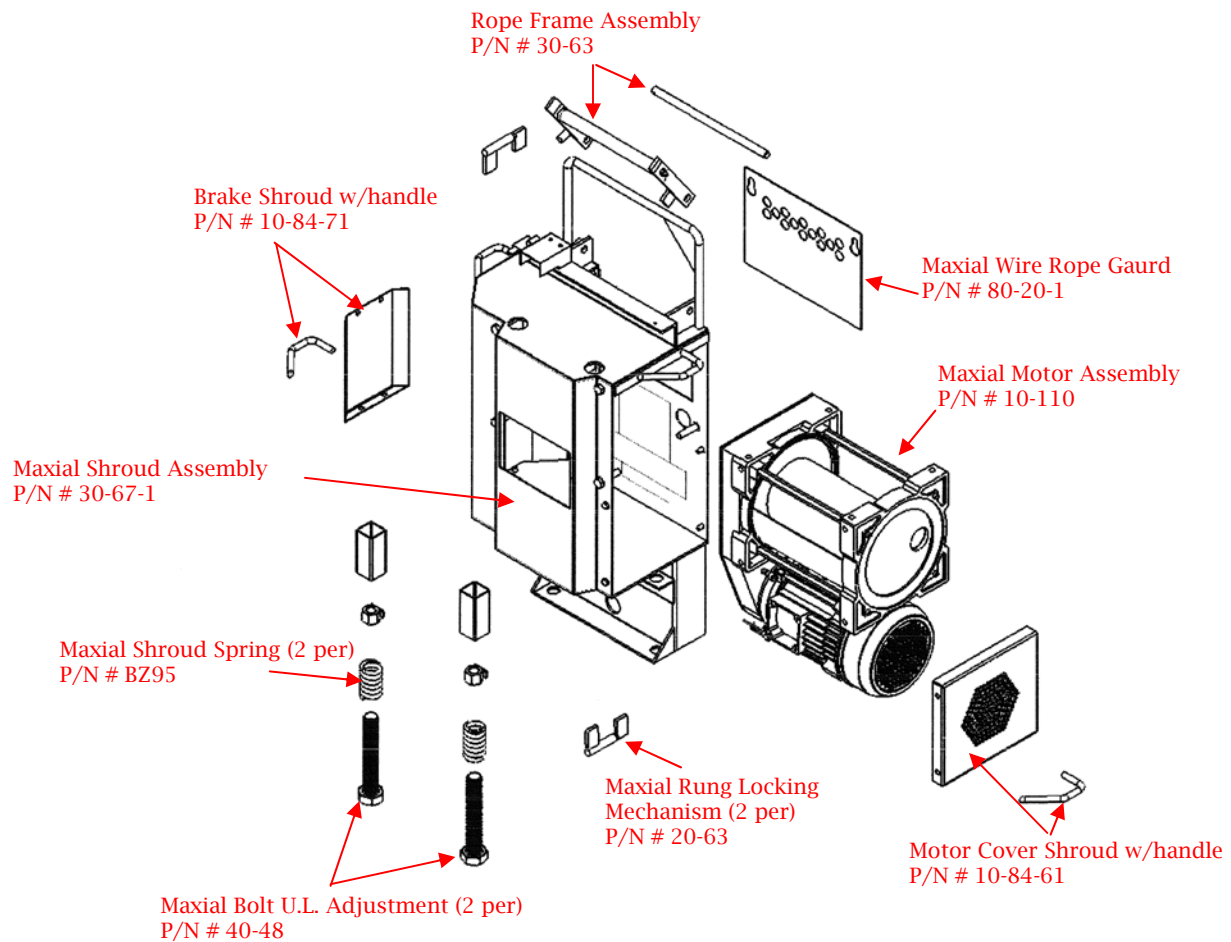
Certified By: _____

PART CALLOUT



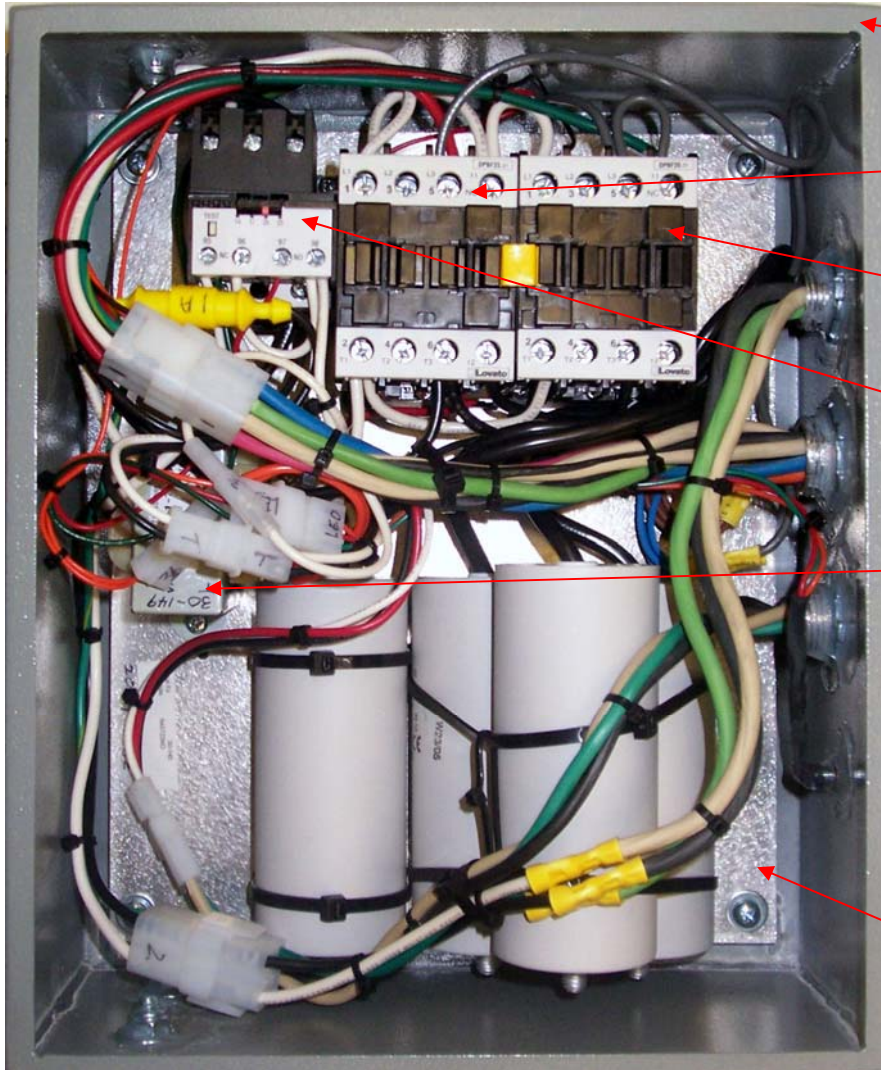
Notes:

MAXIAL HOISTING MOTOR ASSEMBLY



Notes: Assembly with 1/4" rope kit (250' Length) P/N # 80-5-1
 Assembly with 3/16" rope kit (350' Length) P/N # 80-25-1

MAXIAL CONTROLLER W/O PLC P/N # 30-40-1



Enclosure Assembly
P/N # 30-146

Up Contactor
P/N # BZ99

Down Contactor
P/N # BZ24

Overload Sensor
P/N # BZ98

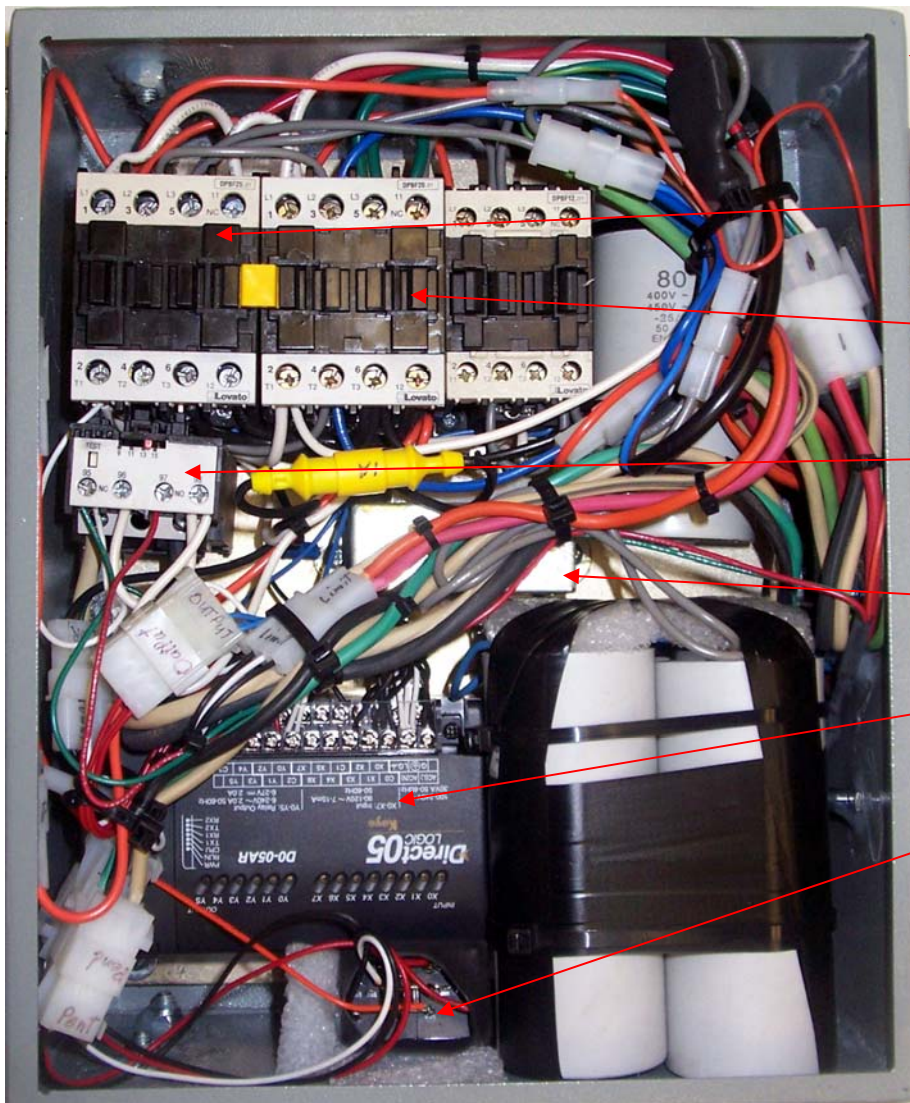
Transformer Assembly
P/N # 30-149

Base Plate Assembly
P/N # 30-145

Notes:

MAXIAL CONTROLLER W/ PLC

P/N # 30-40-3



Enclosure Assembly
P/N # 30-146C

Up Contactor
P/N # BZ99

Down Contactor
P/N # BZ24

Overload Sensor
P/N # BZ25

Transformer Assembly
P/N # 30-135

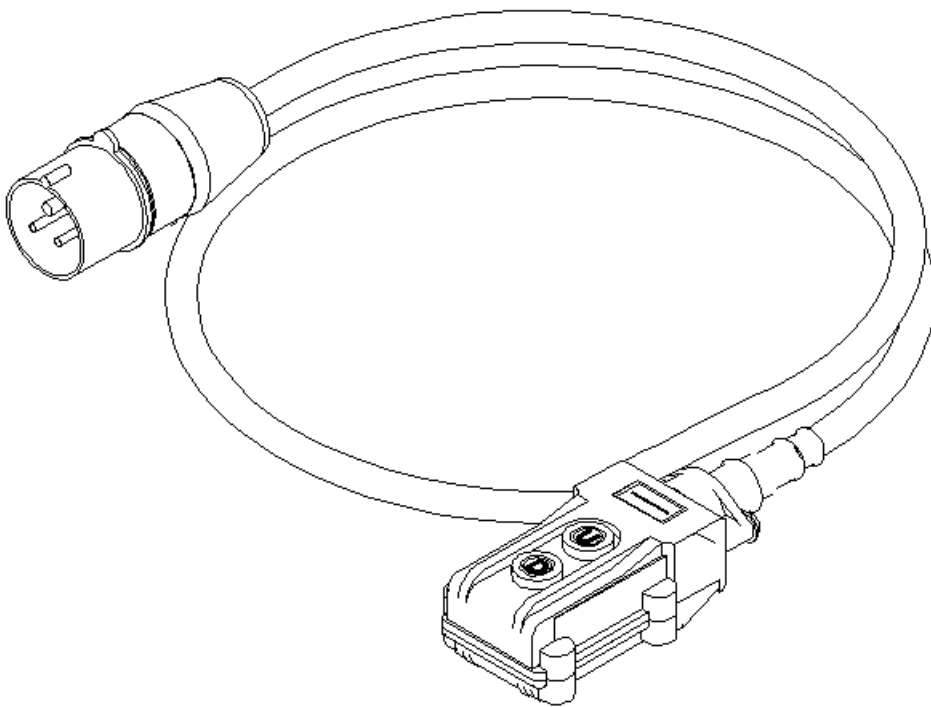
PLC Assembly
P/N # 30-554

Isolation Relay
P/N # 30-910

Notes:

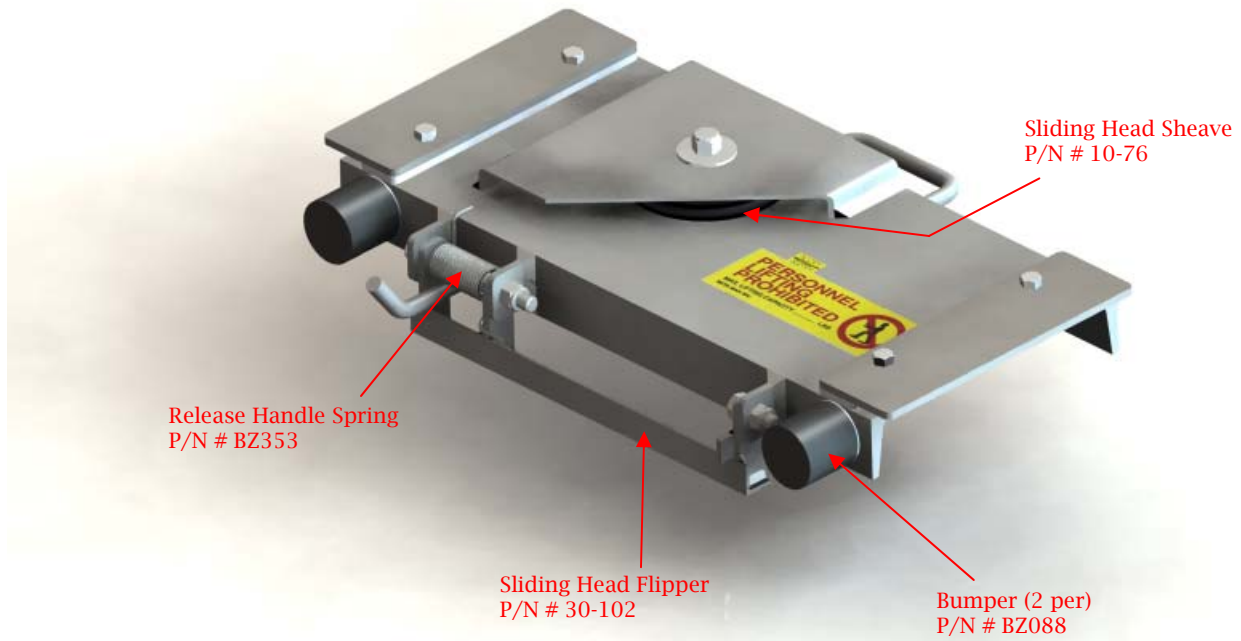
OPERATOR'S PENDANT (25')

P/N # 50-35



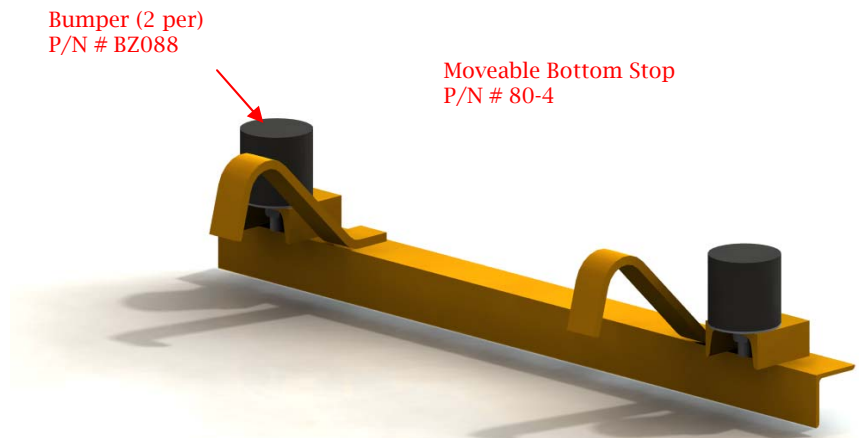
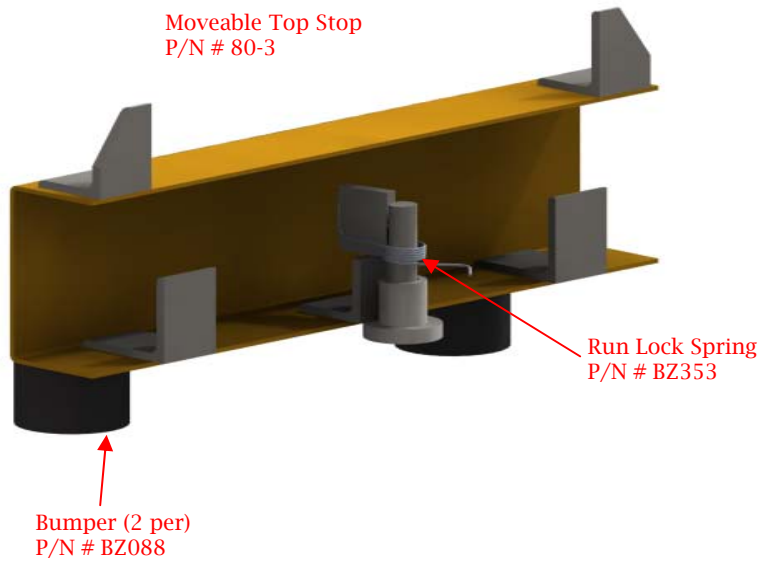
Notes:

MAXIAL SLIDING HEAD P/N # 80-2



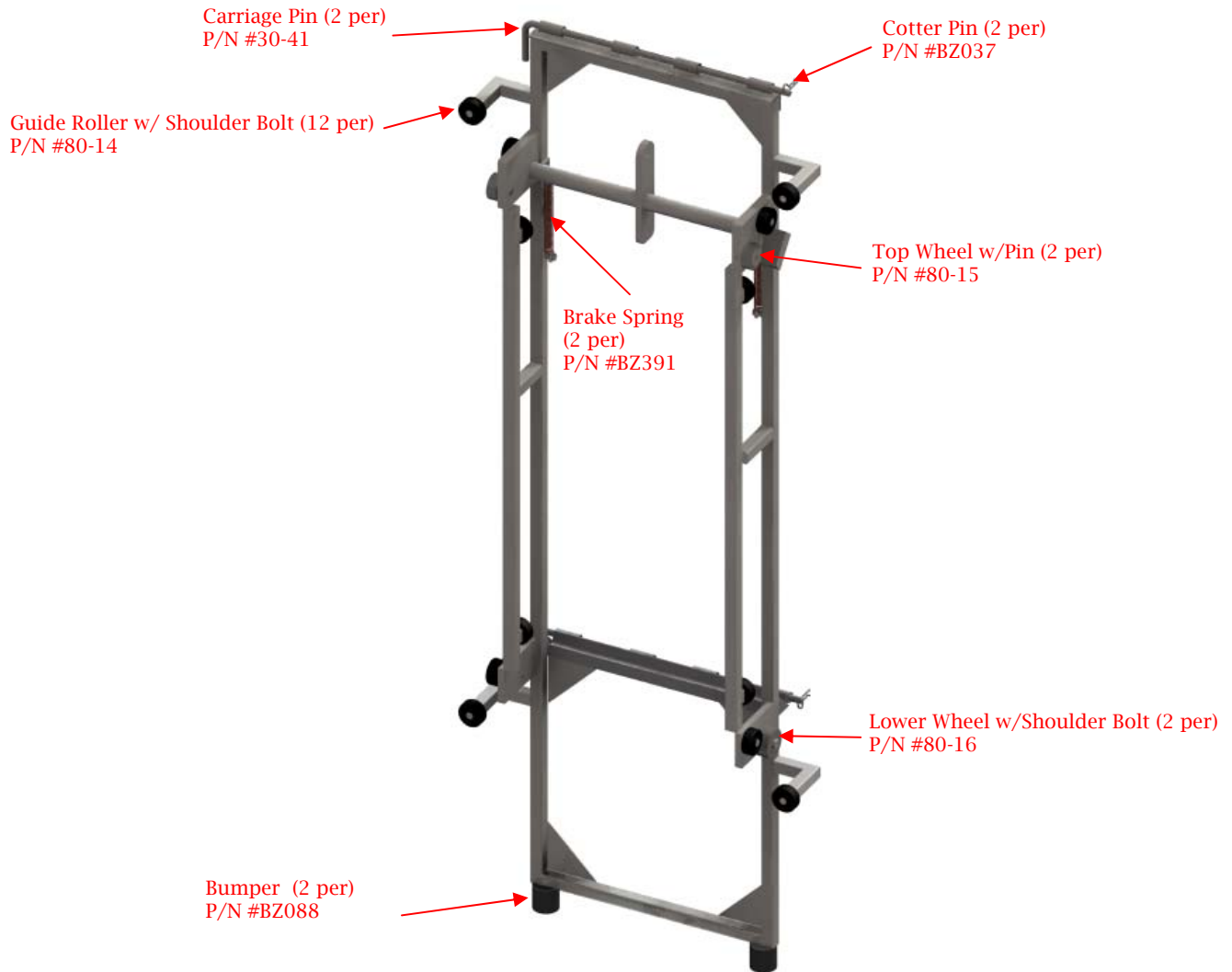
Notes:

MAXIAL STOPS



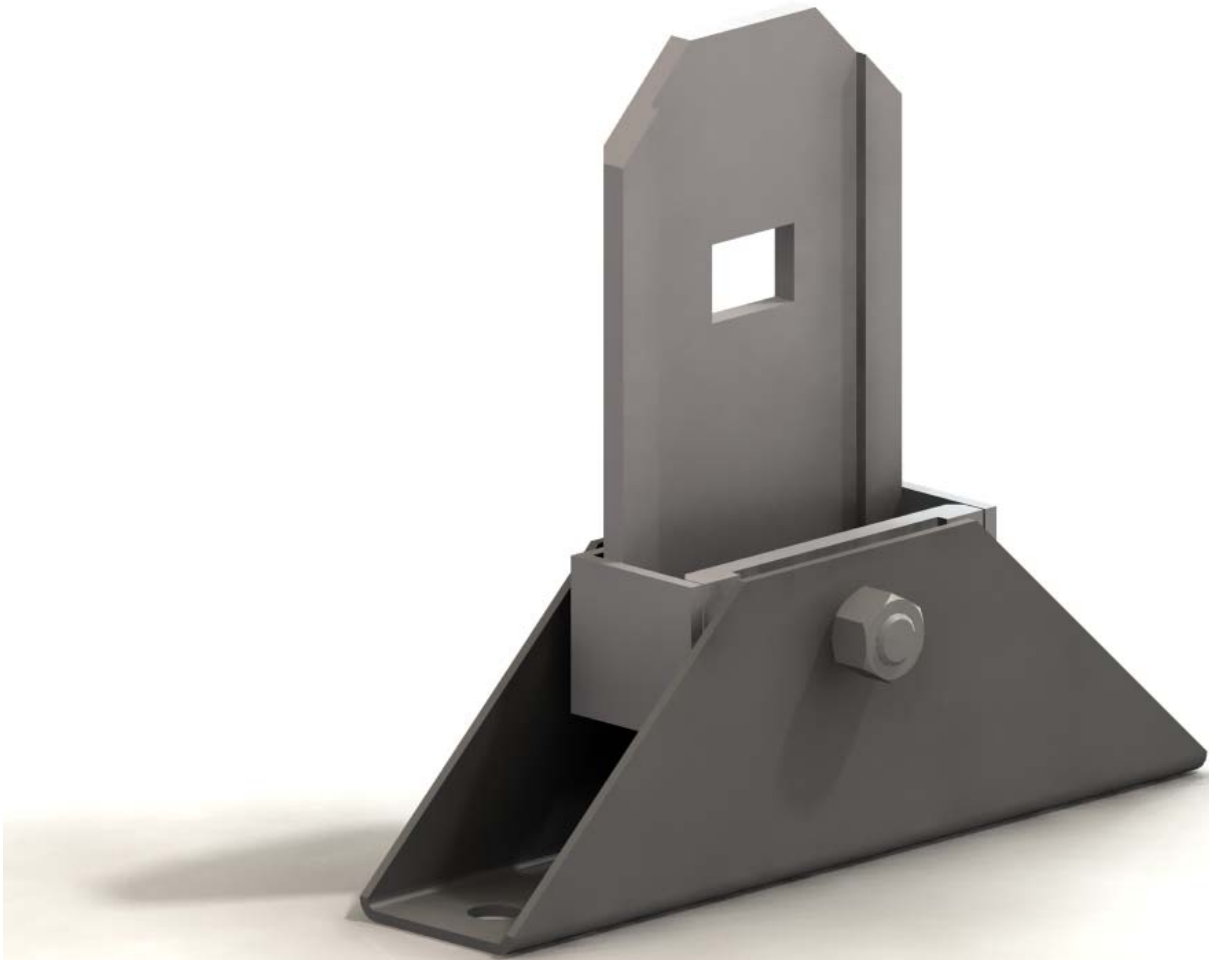
Notes:

UNIVERSAL CARRIAGE P/N # 200-1



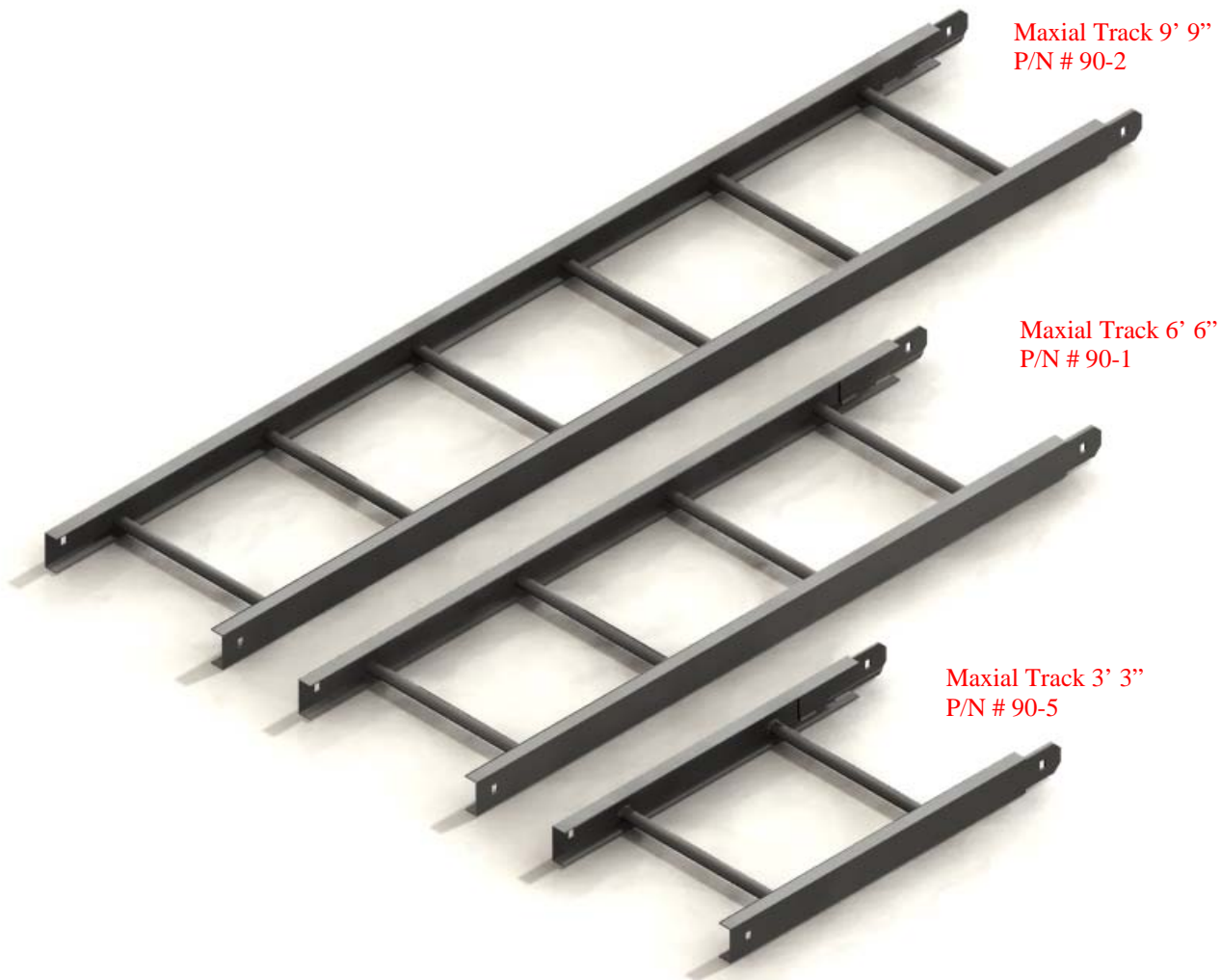
Notes:

BASE FEET P/N# 80-1



Notes: Two required per Maxial assembly

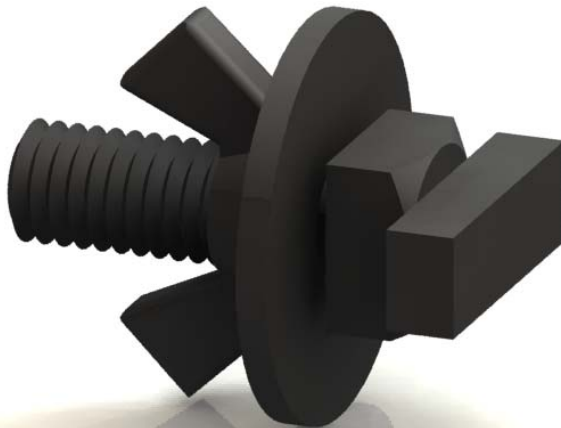
MAXIAL TRACK SECTIONS



Notes:

FASTNERS

Kwik Bolt
P/N # 90-6



Scaffold Clamp
P/N # 90-4



Notes: Kwik Bolt—Two required per track section regardless of length
 Scaffold Clamp—Two required per 6.5' of entire system
 Example: 175' system requires 54 clamps

CARRYING DEVICE



Systems Scaffold Basket
P/N # 200-3



Frame Scaffold Basket
P/N # 100-2



Universal Basket
P/N # 100-3

Notes:



Beta Max Hoist Will Provide Full Support

We Will Meet & Exceed Your Customers Expectations

We Will Offer A More Complete and Productive Lifting Solution

We Will Provide Long Term Value & After The Sale Support

P.O Box 2750. Melbourne, Florida 32905-2750
TF 800-233-5112
Ph 321-727-3737
Fx 321-768-9517
www.betamaxhoist.com