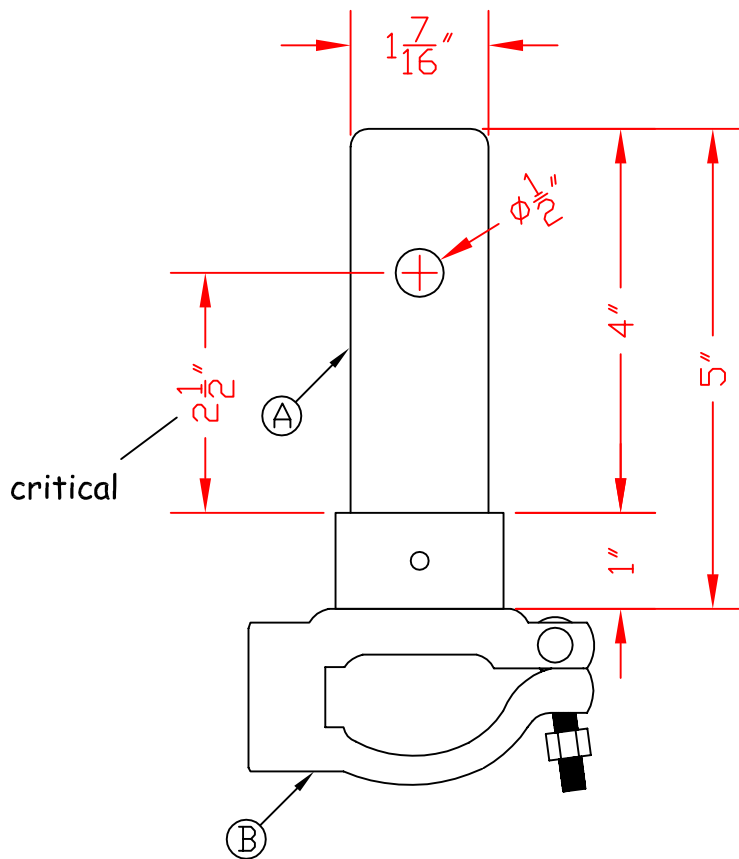


# Uniscaff to CP7 Adaptor Clamp

Mark	Name	Qty.	Material	Details	Item Number
A	CP7	1	1-7/16" x 9"	Pre-made, Cold Saw to 5" @ 1 side of collar	-
B	Half Clamp	1	2" Half Clamp	xxxxx	-

Special Instructions: x

Made for frames setting 90 degrees to horizontals  
(spanning 2 trusses)



Scale 1:2

**A-1 SCAFFOLD MFG., INC.**  
 590 Commerce Parkway | Hays, KS 67601  
 Ph 785.625.7510 | Fax 785.625.8452  
 www.a1scaffoldingmfg.com

Drawing Tolerance = .063

S:\CAD\PRINT\Drawings\516-CP7-CP7A-CP7AC\U-CP7AC (Adaptor Clamp).dwg, 5/16/2014 2:42:42 PM, Bullzip PDF Printer

BY	DATE	Item Number
JAR	11/01	<b>U-CP7AC</b>
Approved By		
Revision Date	05/14	