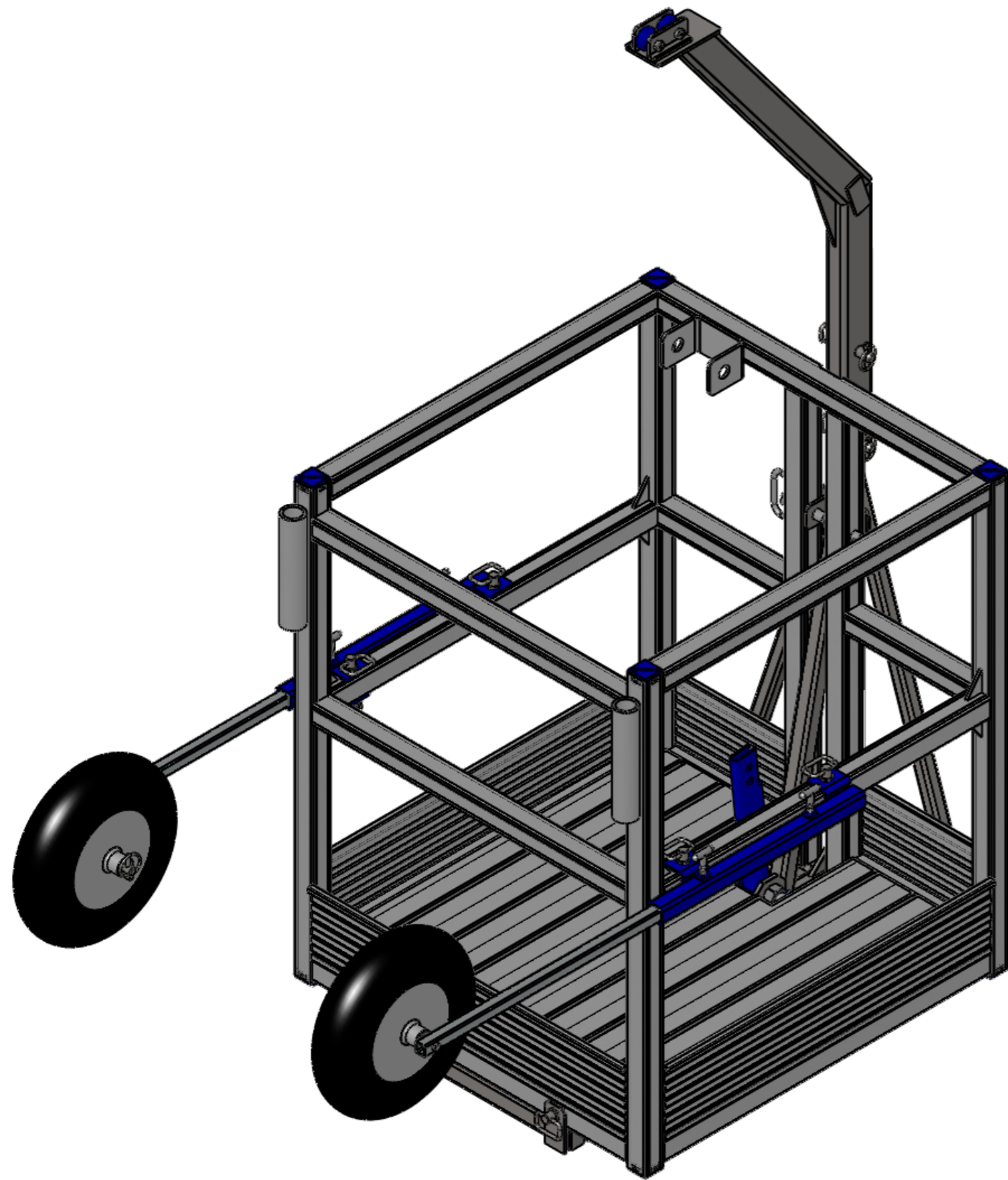


DIMENSIONS SHOWN IN [XX] ARE FOR REFERENCE ONLY.



ITEM NO.	PART NUMBER	DESCRIPTION	FRONT/QTY.
1	360060	50MM SQUARE END CAP	8
2	106-200-1	STIRRUP, LPKD WORKCAGE	1
3	3581-010-R	EXTENDABLE ROLLER HOUSING, RIGHT	1
4	3581-010-L	EXTENDABLE ROLLER HOUSING, LEFT	1
5	3581-0019	T-HANDLE BOLT, 1/2-13 X 3.75 IN	4
6	3581-011	EXTENDABLE WALL ROLLER ASSEMBLY	2
7	3581-0023	SHAFT MOUNT TRACK ROLLER	2
8	106-170	HH, 1-14X4.5	1
9	107-300	NUT 1-14 NF	1
10	113-22	PIN COTTER .19	1
11	360019	LOCK PIN ASSEMBLY	10
12	3581-0028	HITCH PIN, 3/4 DIA, 6.5 USABLE LENGTH	1
13	3581-0029	WASHER, 1/2, NYLON 6/6	4
14	107-624	WASHER, 3/8	2
15	107-384	NUT FL 3/8-16 ST STL	2
16	107-1099	SB, 3/8-16X0.5DX1.75L	2
17	3581-0011-2	INSULTHERM BASKET WELDMENT 2	1
18	3581-0035-2	INSULTHERM STIRRUP WELDMENT 2	1
19	3581-0009-2	SHEAVE WELDMENT 2	1
20	3581-0026-2	INSULTHERM FLOOR 2	1

**DEBUR AND BREAK SHARP EDGES**

MATERIAL		WEIGHT		KG
TREATMENT		UNLESS OTHERWISE STATED DIMENSIONS ARE IN MM [INCH]		
APPROVALS	DATE	TOL. ISO 2768-m		
DRAWN BY JP	28 Sep 10	> 0.5	6 30 120 400	
CHECKED BY		< 6	30 120 400	
APPROVED BY		TOL. ±0.1	±0.2 ±0.3 ±0.5 ±0.8	
RAW MATERIAL NO.		MACHINED SURFACES 12.5		
CAD GENERATED DRAWING. DO NOT MANUALLY UPDATE.		FIRST ANGLE PROJECTION	ISO 1302	SCALE
			12.5	1:10



**NOTICE**

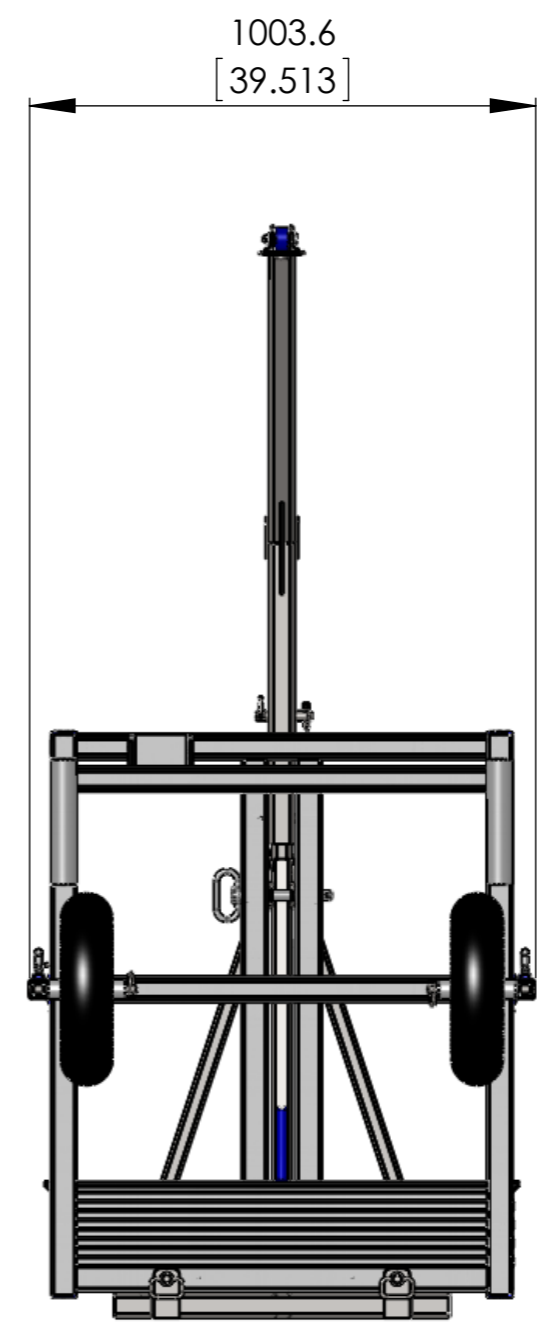
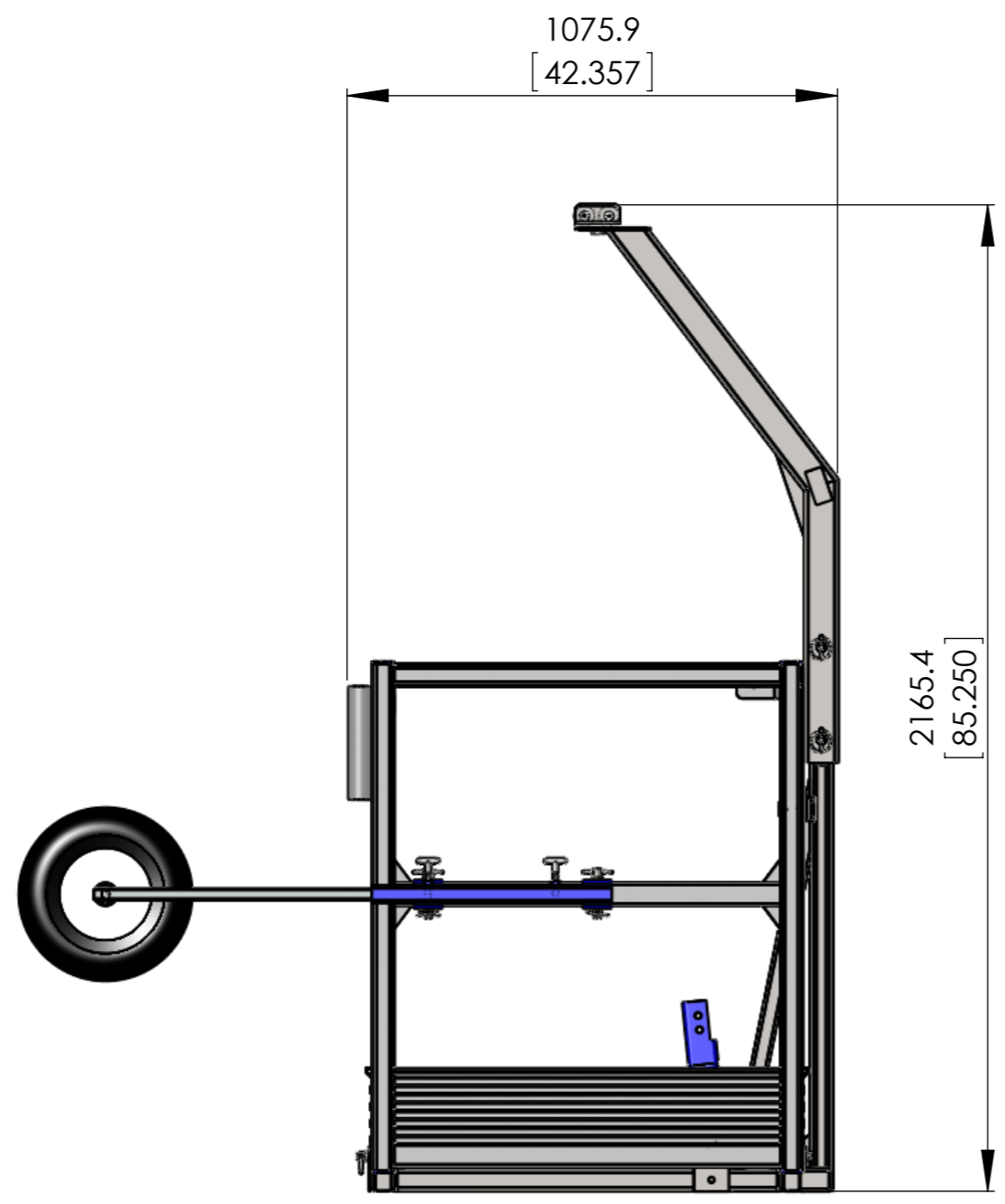
THE INFORMATION CONTAINED IN THIS DRAWING IS THE SOLE PROPERTY OF SKY CLIMBER. ANY REPRODUCTION IN PART OR WHOLE WITHOUT THE WRITTEN PERMISSION OF SKY CLIMBER IS PROHIBITED.

**INSULTHERM WORKCAGE**

DWG. NO.	REV.
3581-2	1
SIZE B/A3	SHEET 1 OF 2
DO NOT SCALE DRAWING.	

ECN#	REV.	DESCRIPTION	REV. BY	DATE

DIMENSIONS SHOWN IN [XX] ARE FOR REFERENCE ONLY.



**NOTICE**  
 THE INFORMATION CONTAINED IN THIS DRAWING IS THE SOLE PROPERTY OF SKY CLIMBER. ANY REPRODUCTION IN PART OR WHOLE WITHOUT THE WRITTEN PERMISSION OF SKY CLIMBER IS PROHIBITED.

**INSULTHERM  
 WORKCAGE**

CAD GENERATED DRAWING. DO NOT MANUALLY UPDATE.	FIRST ANGLE PROJECTION	SCALE	DWG. NO.	REV.
		1:15	<b>3581-2</b>	<b>1</b>
		SIZE	DO NOT SCALE DRAWING.	
		B/A3	SHEET 2 OF 2	

APPROVED FOR PRODUCTION